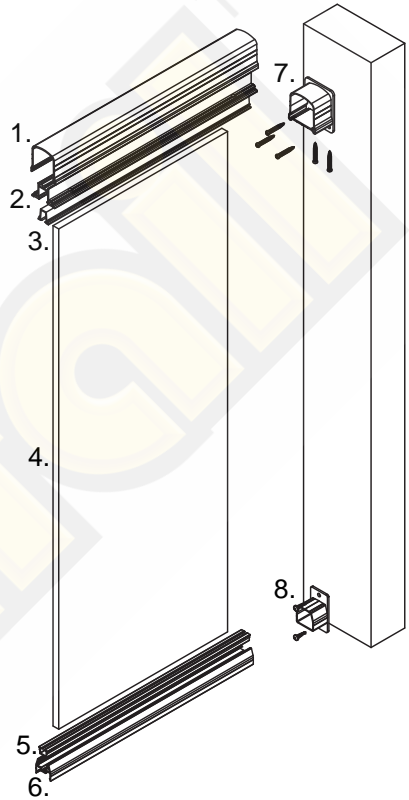
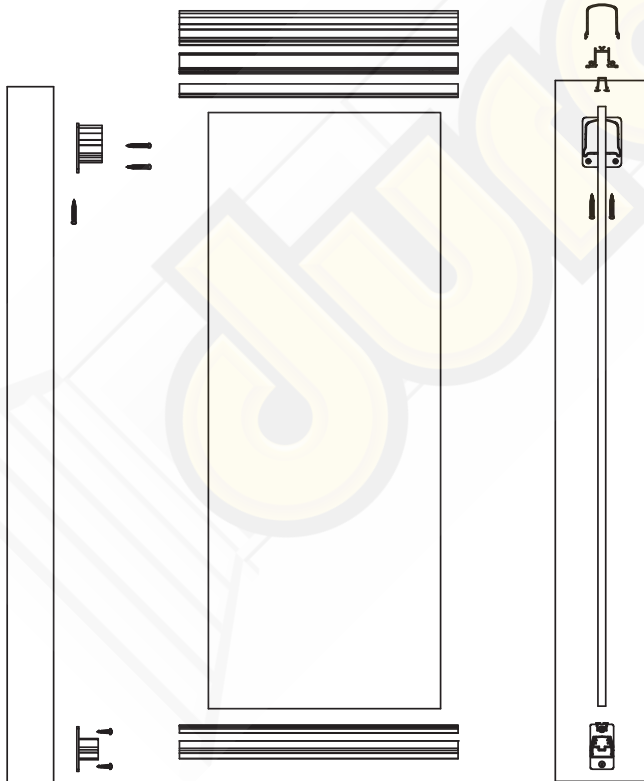




**Wall Mount with Non-Continuous Top Rail Detail - Component Glass**

SEE FASTENER SHEET  
FOR FASTENER LISTINGS



**BILL OF MATERIALS**

1. Top Rail (Square or Round)
2. Component Receiver Channel
3. Top Glass Insert
4. Tempered Glass (6mm / 1/4")
5. Bottom Glass Insert
6. Component Bottom Rail
7. Top Wall Mount
8. (a) Receiver Clip OR (b) Bottom Wall Mount

**WWW.DURARAIL.COM**