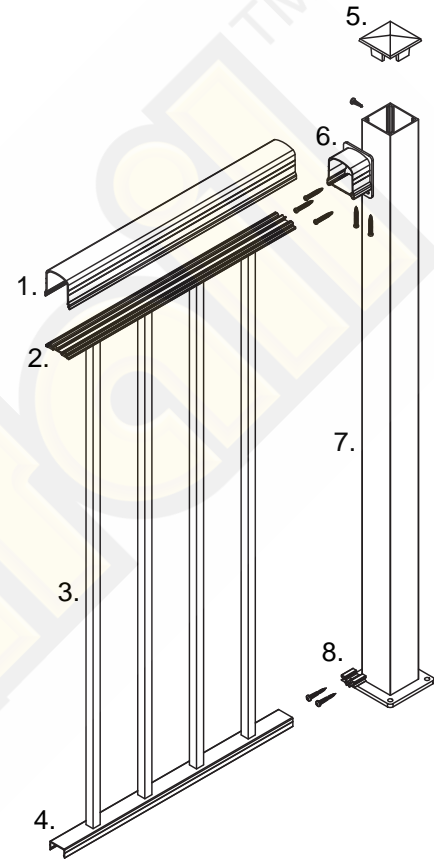
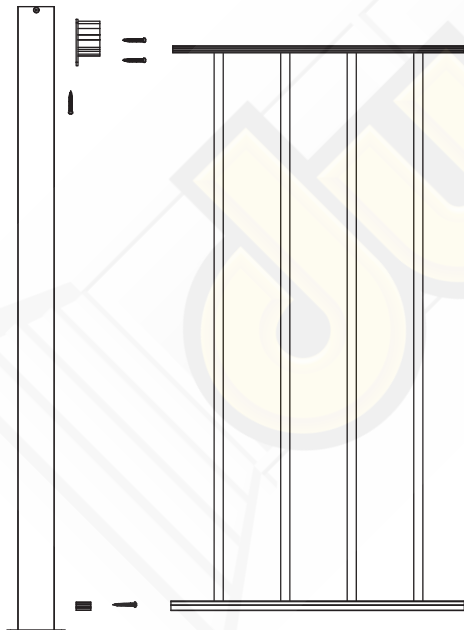




## End Post with Non-Continuous Top Rail Detail - Welded Picket

SEE FASTENER SHEET  
FOR FASTENER LISTINGS



### BILL OF MATERIALS

1. Top Rail (Square or Round)
2. Welded Picket Receiver Channel
3. Picket Material (Welded to 2 & 4)
4. Welded Picket Bottom Rail
5. Post Cap
6. Top Wall Mount
7. Post (2.5" or Greater)
8. (a) Receiver Clip OR (b) Bottom Wall Mount

[WWW.DURARAIL.COM](http://WWW.DURARAIL.COM)