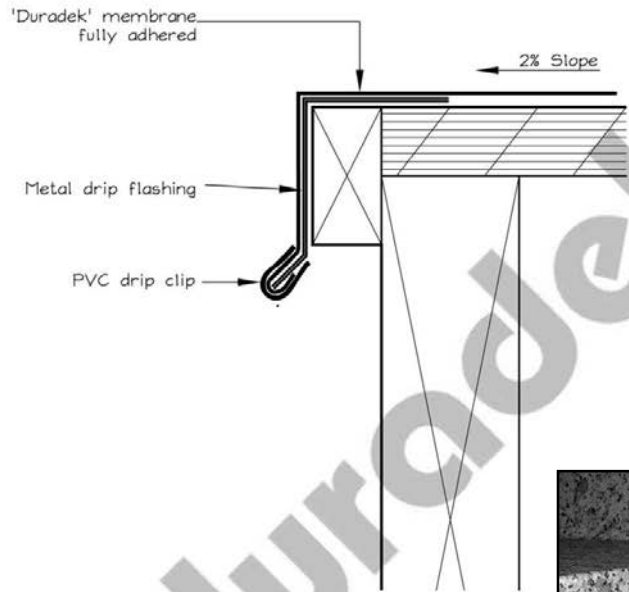


### OUTSIDE PERIMETER DETAIL- PVC CLIP



**NOTE:**

AS A SUPPLIER OF FINISHED PRODUCT ONLY, DURADEK LTD. DOES NOT ASSUME RESPONSIBILITY FOR ERRORS IN DESIGN, ENGINEERING, OR DIMENSIONS. THE ARCHITECT, ENGINEER, SPECIFIER, CONTRACTOR OR OWNERS' REPRESENTATIVE MUST VERIFY ALL DIMENSIONS, SIZES & SUITABILITY OF DETAILS.

**DURADEK LTD.**

CANADA  
UNITED STATES

Bus: (604) 591-5594  
Bus: (816) 421-5830

Fax: (604) 591-3100  
Fax: (816) 421-2924

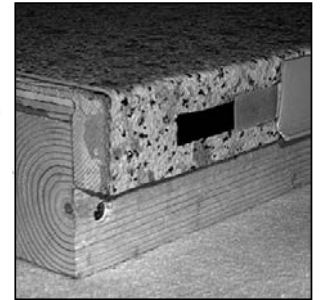
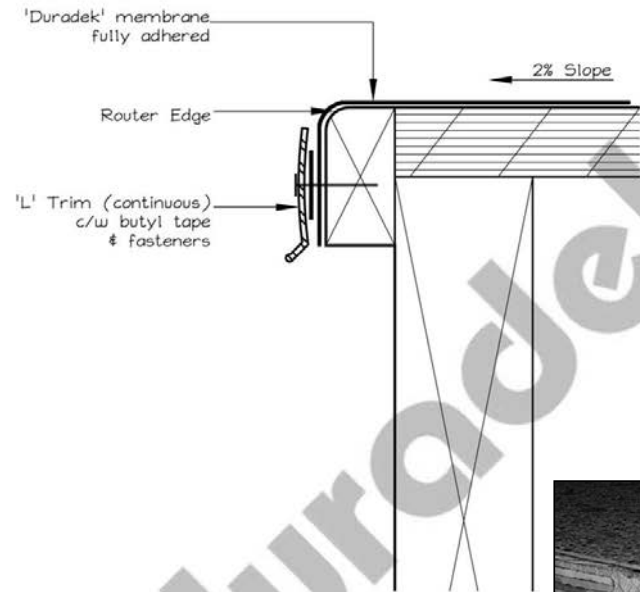
SYSTEM:  
ALL ASSEMBLIES

DATE: 31/08/04  
REV. DATE:

DRAWING No.:  
OS-01



### OUTSIDE PERIMETER DETAIL- 'L' TRIM



**NOTE:**

AS A SUPPLIER OF FINISHED PRODUCT ONLY, DURADEK LTD. DOES NOT ASSUME RESPONSIBILITY FOR ERRORS IN DESIGN, ENGINEERING, OR DIMENSIONS. THE ARCHITECT, ENGINEER, SPECIFIER, CONTRACTOR OR OWNERS' REPRESENTATIVE MUST VERIFY ALL DIMENSIONS, SIZES & SUITABILITY OF DETAILS.

**DURADEK LTD.**

CANADA  
UNITED STATES

Bus: (604) 591-5594  
Bus: (816) 421-5830

Fax: (604) 591-3100  
Fax: (816) 421-2924

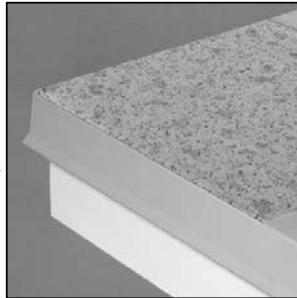
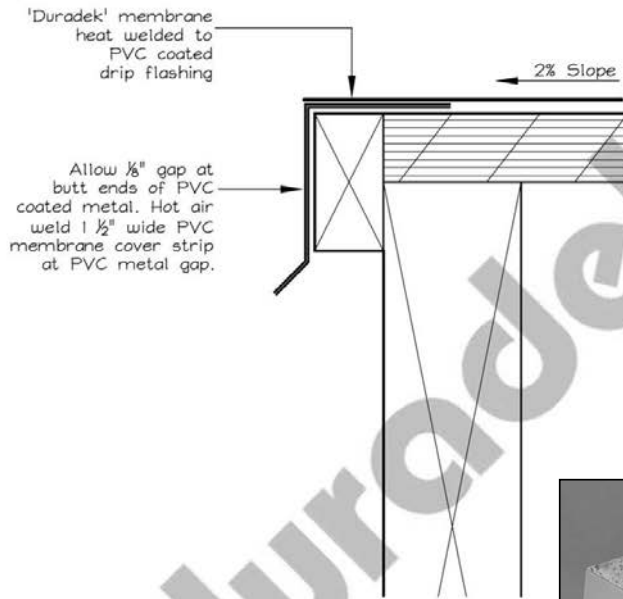
SYSTEM:  
ALL ASSEMBLIES

DATE: 31/08/04  
REV. DATE:

DRAWING No.:  
OS-02



### OUTSIDE PERIMETER DETAIL- PVC COATED METAL FLASHING



**NOTE:**

AS A SUPPLIER OF FINISHED PRODUCT ONLY, DURADEK LTD. DOES NOT ASSUME RESPONSIBILITY FOR ERRORS IN DESIGN, ENGINEERING, OR DIMENSIONS. THE ARCHITECT, ENGINEER, SPECIFIER, CONTRACTOR OR OWNERS' REPRESENTATIVE MUST VERIFY ALL DIMENSIONS, SIZES & SUITABILITY OF DETAILS.

**DURADEK LTD.**

CANADA  
UNITED STATES

Bus: (604) 591-5594  
Bus: (816) 421-5830

Fax: (604) 591-3100  
Fax: (816) 421-2924

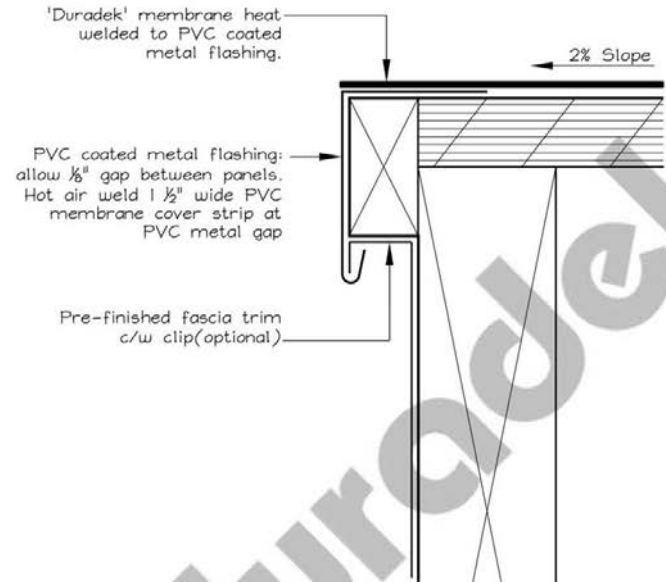
SYSTEM:  
**ALL ASSEMBLIES**

DATE: **31/08/04**  
REV. DATE:

DRAWING No.:  
**OS-03**



### OUTSIDE PERIMETER DETAIL- PVC METAL C/W TRIM



**NOTE:**

AS A SUPPLIER OF FINISHED PRODUCT ONLY, DURADEK LTD. DOES NOT ASSUME RESPONSIBILITY FOR ERRORS IN DESIGN, ENGINEERING, OR DIMENSIONS. THE ARCHITECT, ENGINEER, SPECIFIER, CONTRACTOR OR OWNERS' REPRESENTATIVE MUST VERIFY ALL DIMENSIONS, SIZES & SUITABILITY OF DETAILS.

**DURADEK LTD.**

CANADA  
UNITED STATES

Bus: (604) 591-5594  
Bus: (816) 421-5830

Fax: (604) 591-3100  
Fax: (816) 421-2924

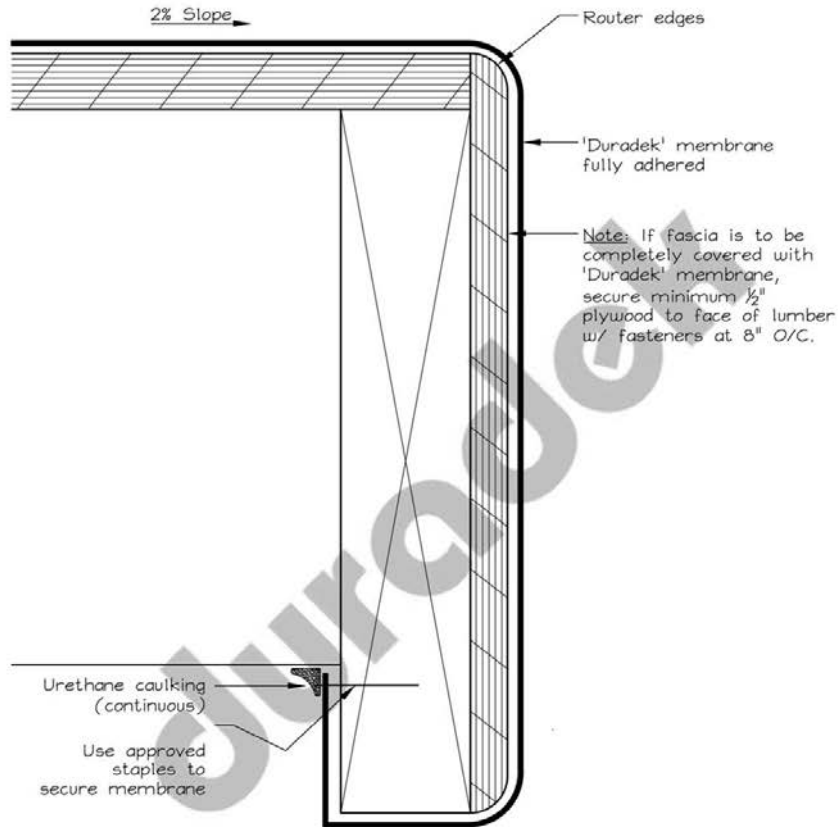
SYSTEM:  
**ALL ASSEMBLIES**

DATE: **31/08/04**  
REV. DATE:

DRAWING No.:  
**OS-04**



### OUTSIDE PERIMETER DETAIL- PLYWOOD FASCIA



**NOTE:**

AS A SUPPLIER OF FINISHED PRODUCT ONLY, DURADEK LTD. DOES NOT ASSUME RESPONSIBILITY FOR ERRORS IN DESIGN, ENGINEERING, OR DIMENSIONS. THE ARCHITECT, ENGINEER, SPECIFIER, CONTRACTOR OR OWNERS' REPRESENTATIVE MUST VERIFY ALL DIMENSIONS, SIZES & SUITABILITY OF DETAILS.

**DURADEK LTD.**

CANADA  
UNITED STATES

Bus: (604) 591-5594  
Bus: (816) 421-5830

Fax: (604) 591-3100  
Fax: (816) 421-2924

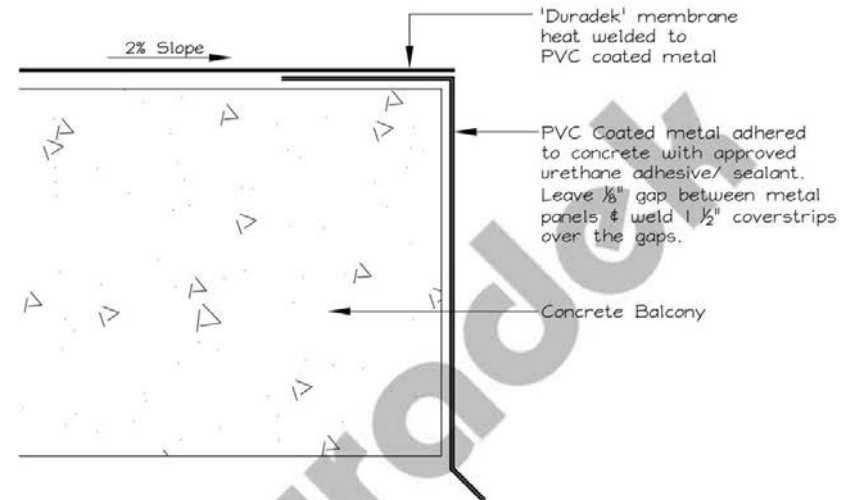
SYSTEM:  
ALL ASSEMBLIES

DATE: 31/08/04  
REV. DATE:

DRAWING No.:  
OS-05



### OUTSIDE PERIMETER DETAIL- CONCRETE FASCIA



**NOTE:**

AS A SUPPLIER OF FINISHED PRODUCT ONLY, DURADEK LTD. DOES NOT ASSUME RESPONSIBILITY FOR ERRORS IN DESIGN, ENGINEERING, OR DIMENSIONS. THE ARCHITECT, ENGINEER, SPECIFIER, CONTRACTOR OR OWNERS' REPRESENTATIVE MUST VERIFY ALL DIMENSIONS, SIZES & SUITABILITY OF DETAILS.

**DURADEK LTD.**

CANADA  
UNITED STATES

Bus: (604) 591-5594  
Bus: (816) 421-5830

Fax: (604) 591-3100  
Fax: (816) 421-2924

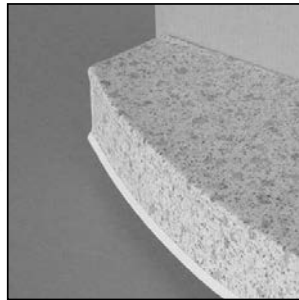
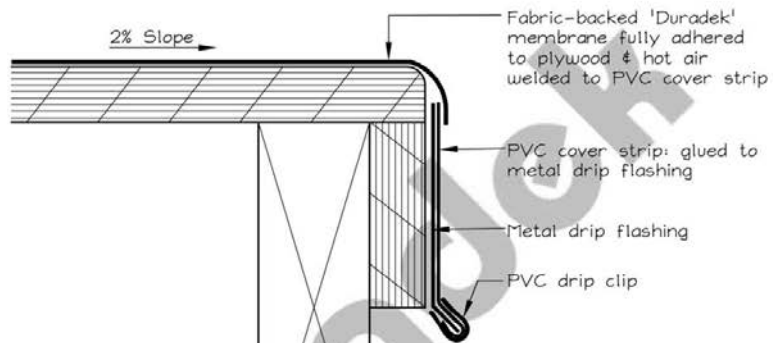
SYSTEM:  
ALL ASSEMBLIES

DATE: 31/08/04  
REV. DATE:

DRAWING No.:  
OS-06



### OUTSIDE PERIMETER DETAIL- RADIUS FASCIA



**NOTE:**

AS A SUPPLIER OF FINISHED PRODUCT ONLY, DURADEK LTD. DOES NOT ASSUME RESPONSIBILITY FOR ERRORS IN DESIGN, ENGINEERING, OR DIMENSIONS. THE ARCHITECT, ENGINEER, SPECIFIER, CONTRACTOR OR OWNERS' REPRESENTATIVE MUST VERIFY ALL DIMENSIONS, SIZES & SUITABILITY OF DETAILS.

**DURADEK LTD.**

CANADA  
UNITED STATES

Bus: (604) 591-5594  
Bus: (816) 421-5830

Fax: (604) 591-3100  
Fax: (816) 421-2924

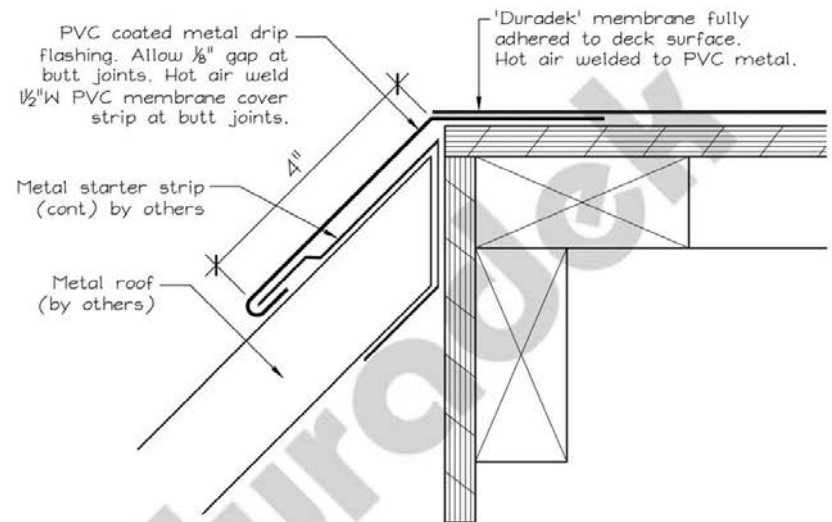
SYSTEM:  
ALL ASSEMBLIES

DATE: 31/08/04  
REV. DATE:

DRAWING No.:  
05-07



### OUTSIDE PERIMETER DETAIL- VERGE AT STEEP ROOFING



**NOTE:**

AS A SUPPLIER OF FINISHED PRODUCT ONLY, DURADEK LTD. DOES NOT ASSUME RESPONSIBILITY FOR ERRORS IN DESIGN, ENGINEERING, OR DIMENSIONS. THE ARCHITECT, ENGINEER, SPECIFIER, CONTRACTOR OR OWNERS' REPRESENTATIVE MUST VERIFY ALL DIMENSIONS, SIZES & SUITABILITY OF DETAILS.

**DURADEK LTD.**

CANADA  
UNITED STATES

Bus: (604) 591-5594  
Bus: (816) 421-5830

Fax: (604) 591-3100  
Fax: (816) 421-2924

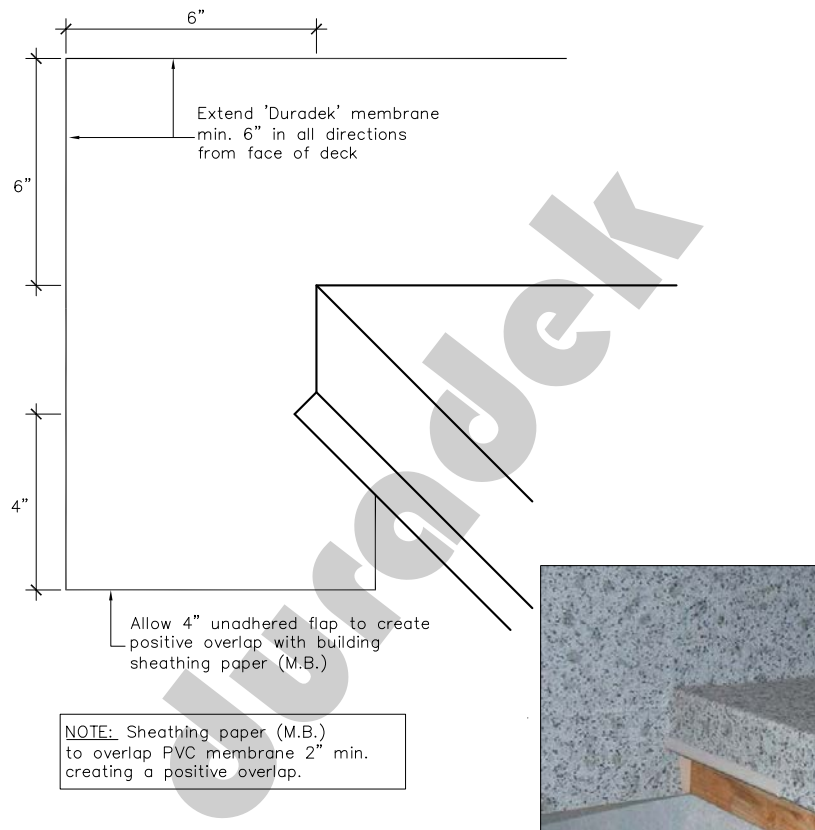
SYSTEM:  
ALL ASSEMBLIES

DATE: 31/08/04  
REV. DATE:

DRAWING No.:  
05-08



## OUTSIDE PERIMETER DETAIL - DECK/ WALL SHEATHING INTERSECTION



**NOTE:**

AS A SUPPLIER OF FINISHED PRODUCT ONLY, DURADEK LTD. DOES NOT ASSUME RESPONSIBILITY FOR ERRORS IN DESIGN, ENGINEERING, OR DIMENSIONS. THE ARCHITECT, ENGINEER, SPECIFIER, CONTRACTOR OR OWNERS' REPRESENTATIVE MUST VERIFY ALL DIMENSIONS, SIZES & SUITABILITY OF DETAILS.

**DURADEK LTD.**

CANADA Bus: (604) 591-5594 Fax: (604) 591-3100  
 UNITED STATES Bus: (816) 421-5830 Fax: (816) 421-2924

SYSTEM:  
**ALL ASSEMBLIES**

DATE: **31/08/04**  
 REV. DATE: **22/05/12**

DRAWING No.:  
**OS-09**



## OUTSIDE PERIMETER DETAIL- WATER DIVERTERS (OPTIONAL)

NOTE: See our Water Diverter Technical Bulletin #121 for more information



CORNER DIVERTER



RETURN DIVERTER



MID SPAN DIVERTER

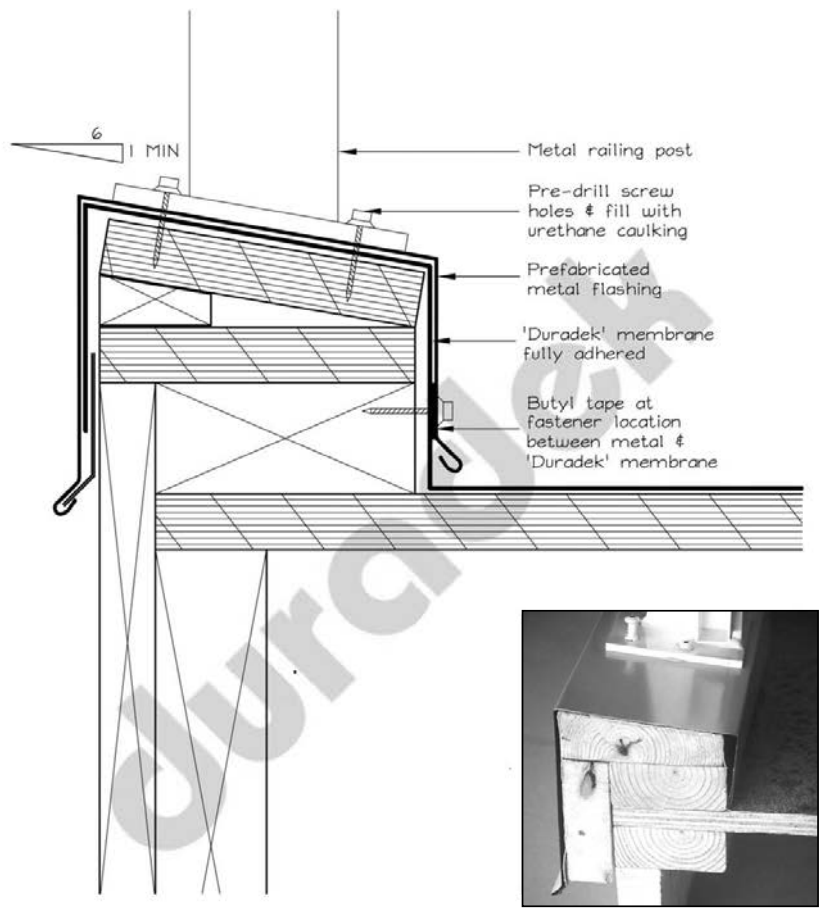
SYSTEM:  
**ALL ASSEMBLIES**

DATE: **31/08/04**  
 REV. DATE:

DRAWING No.:  
**OS-10**



**OUTSIDE PERIMETER DETAIL- WOOD CURB**

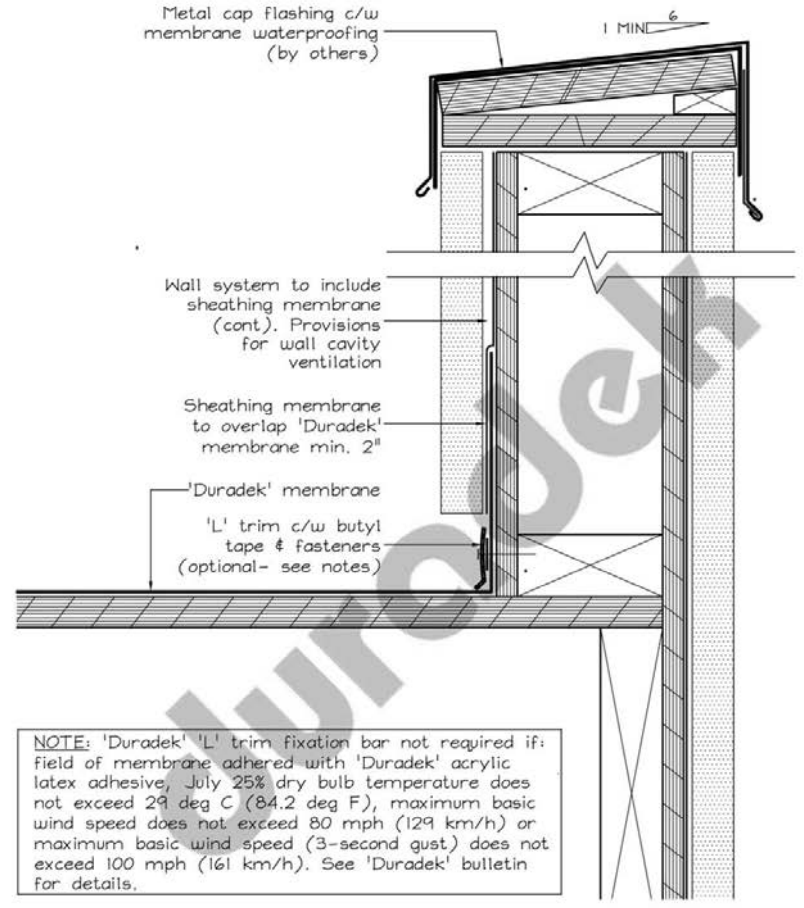


**NOTE:** AS A SUPPLIER OF FINISHED PRODUCT ONLY, DURADEK LTD. DOES NOT ASSUME RESPONSIBILITY FOR ERRORS IN DESIGN, ENGINEERING, OR DIMENSIONS. THE ARCHITECT, ENGINEER, SPECIFIER, CONTRACTOR OR OWNERS' REPRESENTATIVE MUST VERIFY ALL DIMENSIONS, SIZES & SUITABILITY OF DETAILS.

**DURADEK LTD.** CANADA Bus: (604) 591-5594 Fax: (604) 591-3100  
 UNITED STATES Bus: (816) 421-5830 Fax: (816) 421-2924

SYSTEM: ALL ASSEMBLIES DATE: 31/08/04 DRAWING No.: OS-11

**OUTSIDE PERIMETER DETAIL- FREE STANDING WALL**

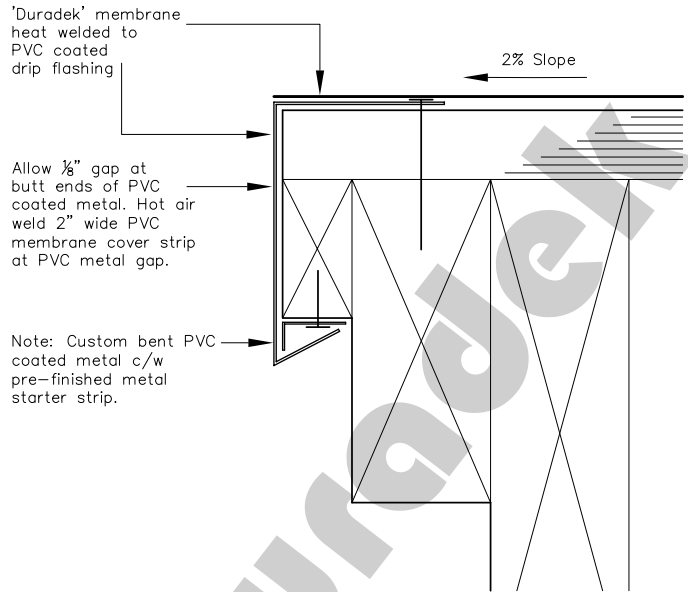


**NOTE:** AS A SUPPLIER OF FINISHED PRODUCT ONLY, DURADEK LTD. DOES NOT ASSUME RESPONSIBILITY FOR ERRORS IN DESIGN, ENGINEERING, OR DIMENSIONS. THE ARCHITECT, ENGINEER, SPECIFIER, CONTRACTOR OR OWNERS' REPRESENTATIVE MUST VERIFY ALL DIMENSIONS, SIZES & SUITABILITY OF DETAILS.

**DURADEK LTD.** CANADA Bus: (604) 591-5594 Fax: (604) 591-3100  
 UNITED STATES Bus: (816) 421-5830 Fax: (816) 421-2924

SYSTEM: ALL ASSEMBLIES DATE: 31/08/04 DRAWING No.: OS-12

### OUTSIDE PERIMETER DETAIL- CANTILEVERED FASCIA



**NOTE:**

AS A SUPPLIER OF FINISHED PRODUCT ONLY, DURADEK LTD. DOES NOT ASSUME RESPONSIBILITY FOR ERRORS IN DESIGN, ENGINEERING, OR DIMENSIONS. THE ARCHITECT, ENGINEER, SPECIFIER, CONTRACTOR OR OWNERS' REPRESENTATIVE MUST VERIFY ALL DIMENSIONS, SIZES & SUITABILITY OF DETAILS.

**DURADEK LTD.**

CANADA Bus: (604) 591-5594 Fax: (604) 591-3100  
 UNITED STATES Bus: (816) 421-5830 Fax: (816) 421-2924

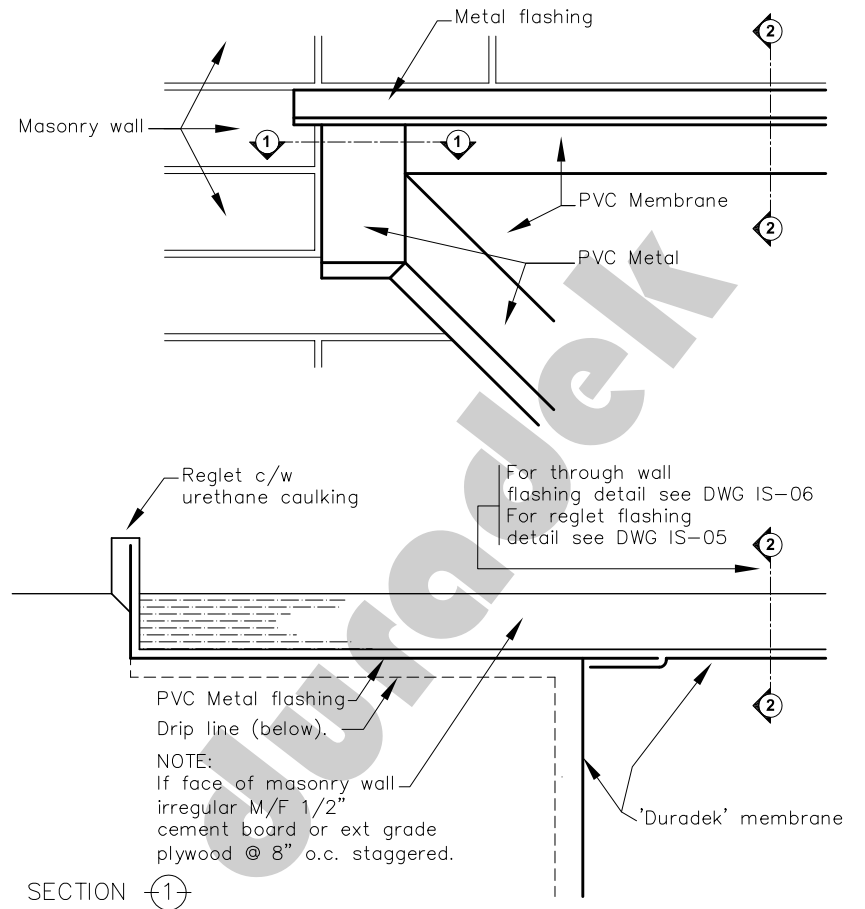
SYSTEM:  
ALL ASSEMBLIES

DATE: 22/05/12  
 REV. DATE:

DRAWING No.:  
OS-13



### OUTSIDE PERIMETER DETAIL - DECK/MASONRY WALL INTERSECTION



**NOTE:**

AS A SUPPLIER OF FINISHED PRODUCT ONLY, DURADEK LTD. DOES NOT ASSUME RESPONSIBILITY FOR ERRORS IN DESIGN, ENGINEERING, OR DIMENSIONS. THE ARCHITECT, ENGINEER, SPECIFIER, CONTRACTOR OR OWNERS' REPRESENTATIVE MUST VERIFY ALL DIMENSIONS, SIZES & SUITABILITY OF DETAILS.

**DURADEK LTD.**

CANADA Bus: (604) 591-5594 Fax: (604) 591-3100  
 UNITED STATES Bus: (816) 421-5830 Fax: (816) 421-2924

SYSTEM:  
ALL ASSEMBLIES

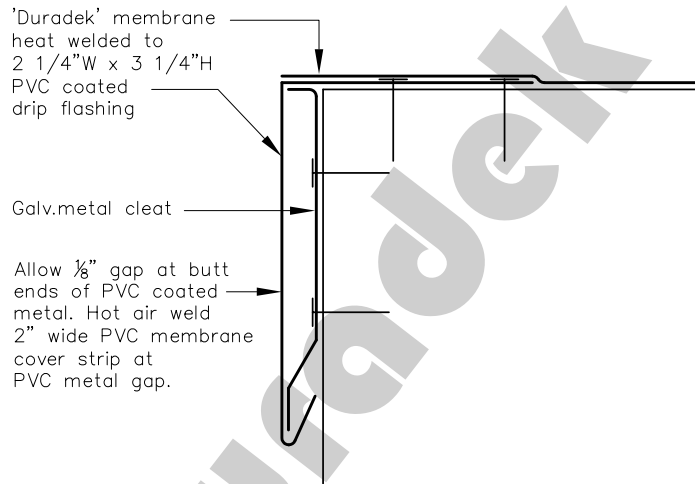
DATE: 22/05/12  
 REV. DATE:

DRAWING No.:  
OS-14



## OUTSIDE PERIMETER DETAIL- ANSI/SPRI ES-1 DESIGN

PVC metal drip edge. high wind areas  
(meets ANSI/SPRI ES-1 wind design standards for  
edge systems used with low slope roof systems).



'Duradek' membrane  
heat welded to  
2 1/4"W x 3 1/4"H  
PVC coated  
drip flashing

Galv. metal cleat

Allow 1/8" gap at butt  
ends of PVC coated  
metal. Hot air weld  
2" wide PVC membrane  
cover strip at  
PVC metal gap.

NOTE: Building envelope components & systems to resist  
structural loads as required by governing building code.  
Building design & structural load requirements determined by others.  
Shop drawings available - upon request.

### NOTE:

AS A SUPPLIER OF FINISHED PRODUCT ONLY, DURADEK LTD. DOES NOT ASSUME RESPONSIBILITY FOR  
ERRORS IN DESIGN, ENGINEERING, OR DIMENSIONS. THE ARCHITECT, ENGINEER, SPECIFIER, CONTRACTOR  
OR OWNERS' REPRESENTATIVE MUST VERIFY ALL DIMENSIONS, SIZES & SUITABILITY OF DETAILS.

**DURADEK LTD.**

CANADA  
UNITED STATES

Bus: (604) 591-5594  
Bus: (816) 421-5830

Fax: (604) 591-3100  
Fax: (816) 421-2924

SYSTEM:  
ALL ASSEMBLIES

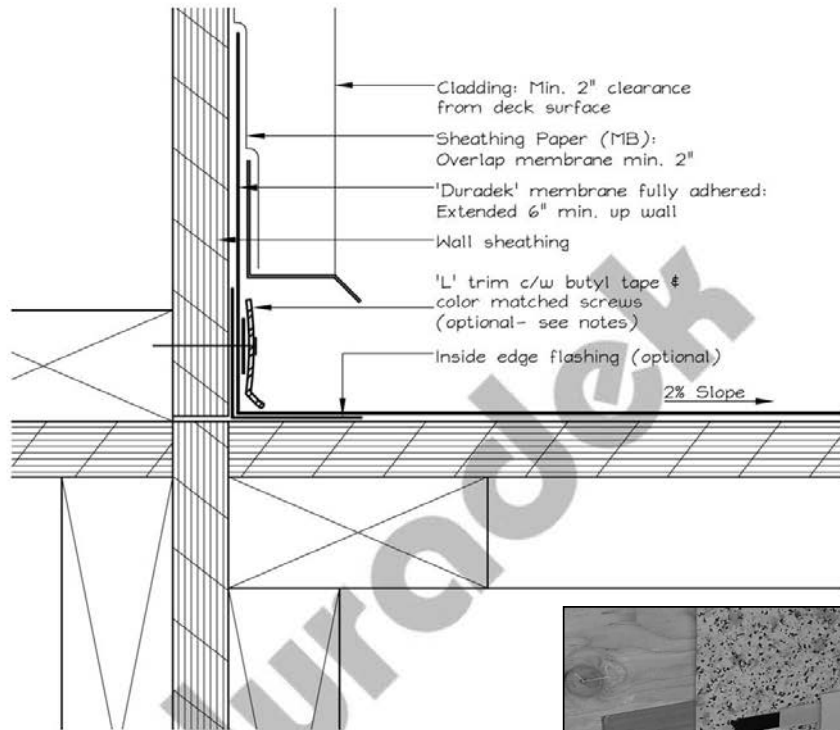
DATE: 22/05/12  
REV. DATE:

DRAWING No.:  
OS-15

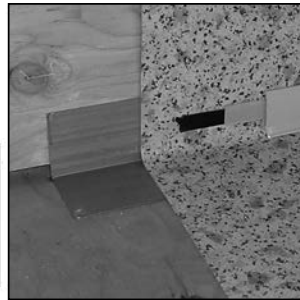




### INSIDE PERIMETER DETAIL- 'L' TRIM



**NOTE:** 'Duradek' 'L' trim fixation bar not required if: field of membrane adhered with 'Duradek' acrylic latex adhesive, July 25% dry bulb temperature does not exceed 29 deg C (84.2 deg F), maximum basic wind speed does not exceed 80 mph (129 km/h) or maximum basic wind speed (3-second gust) does not exceed 100 mph (161 km/h). See 'Duradek' bulletin for details.



**NOTE:**

AS A SUPPLIER OF FINISHED PRODUCT ONLY, DURADEK LTD. DOES NOT ASSUME RESPONSIBILITY FOR ERRORS IN DESIGN, ENGINEERING, OR DIMENSIONS. THE ARCHITECT, ENGINEER, SPECIFIER, CONTRACTOR OR OWNERS' REPRESENTATIVE MUST VERIFY ALL DIMENSIONS, SIZES & SUITABILITY OF DETAILS.

**DURADEK LTD.**

CANADA  
UNITED STATES

Bus: (604) 591-5594  
Bus: (816) 421-5830

Fax: (604) 591-3100  
Fax: (816) 421-2924

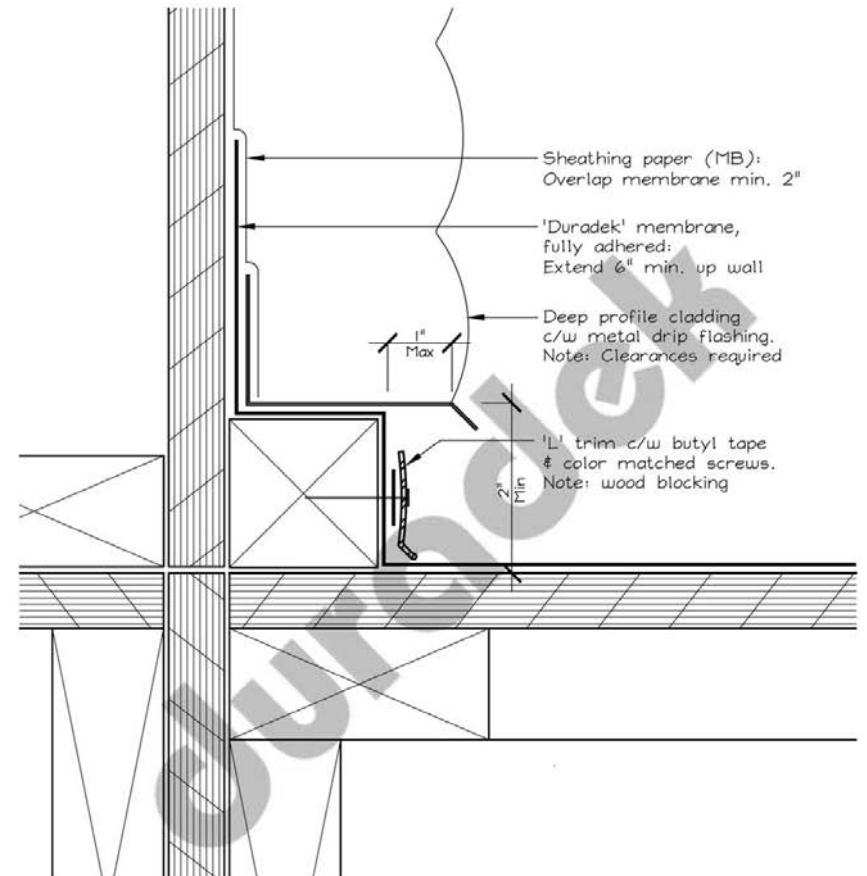
SYSTEM:  
**ALL ASSEMBLIES**

DATE: **31/08/04**  
REV. DATE:

DRAWING No.:  
**IS-01**



### INSIDE PERIMETER DETAIL- DEEP PROFILE CLADDING



**NOTE:**

AS A SUPPLIER OF FINISHED PRODUCT ONLY, DURADEK LTD. DOES NOT ASSUME RESPONSIBILITY FOR ERRORS IN DESIGN, ENGINEERING, OR DIMENSIONS. THE ARCHITECT, ENGINEER, SPECIFIER, CONTRACTOR OR OWNERS' REPRESENTATIVE MUST VERIFY ALL DIMENSIONS, SIZES & SUITABILITY OF DETAILS.

**DURADEK LTD.**

CANADA  
UNITED STATES

Bus: (604) 591-5594  
Bus: (816) 421-5830

Fax: (604) 591-3100  
Fax: (816) 421-2924

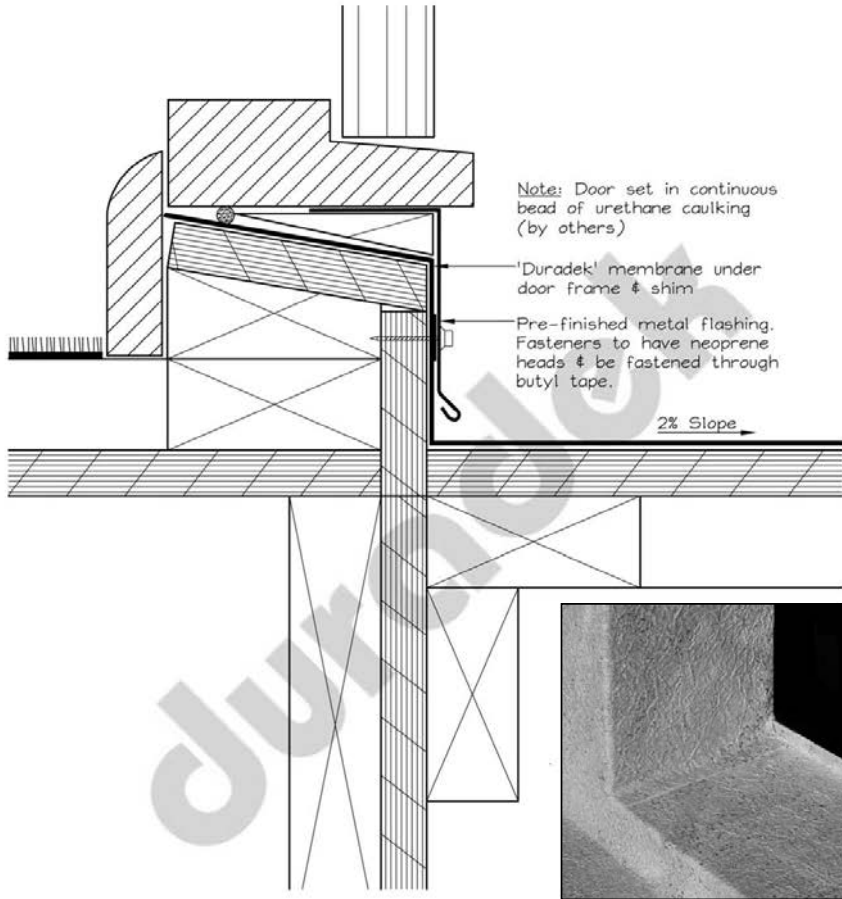
SYSTEM:  
**ALL ASSEMBLIES**

DATE: **31/08/04**  
REV. DATE:

DRAWING No.:  
**IS-02**



**INSIDE PERIMETER DETAIL- RAISED DOOR**



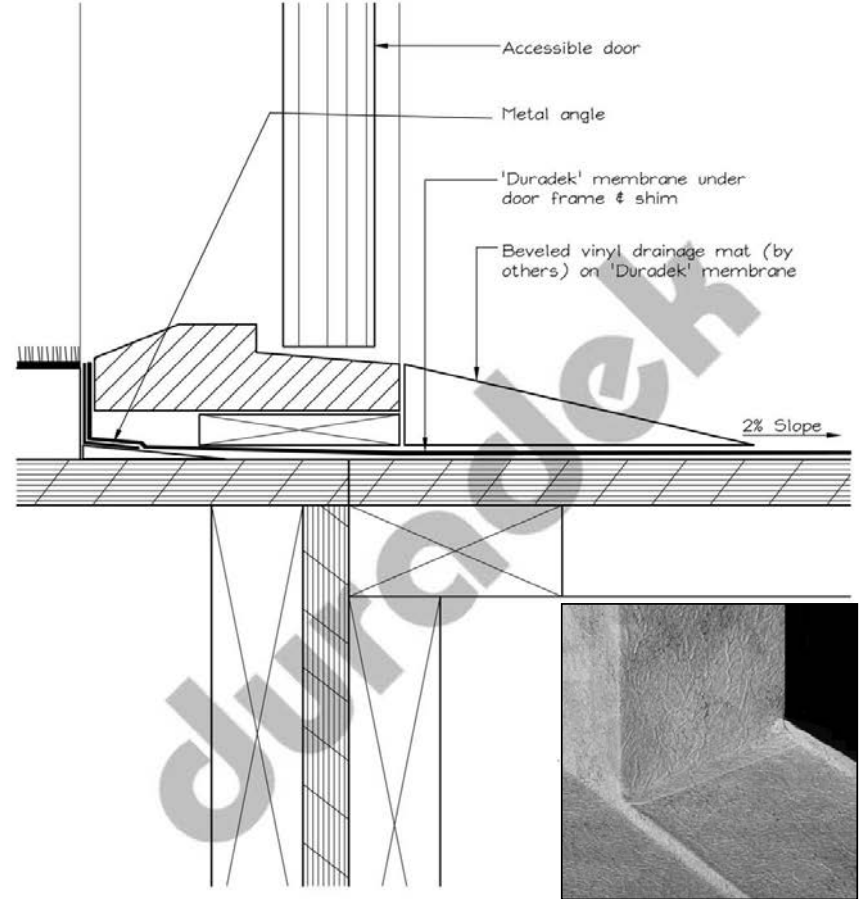
**NOTE:**

AS A SUPPLIER OF FINISHED PRODUCT ONLY, DURADEK LTD. DOES NOT ASSUME RESPONSIBILITY FOR ERRORS IN DESIGN, ENGINEERING, OR DIMENSIONS. THE ARCHITECT, ENGINEER, SPECIFIER, CONTRACTOR OR OWNERS' REPRESENTATIVE MUST VERIFY ALL DIMENSIONS, SIZES & SUITABILITY OF DETAILS.

**DURADEK LTD.** CANADA Bus: (604) 591-5594 Fax: (604) 591-3100  
 UNITED STATES Bus: (816) 421-5830 Fax: (816) 421-2924

SYSTEM: ALL ASSEMBLIES DATE: 31/08/04 DRAWING No.: 15-03

**INSIDE PERIMETER DETAIL- ACCESSIBLE DOOR**



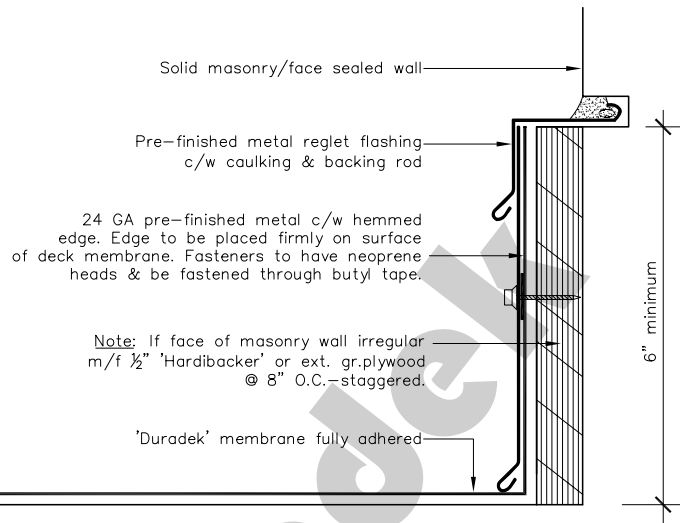
**NOTE:**

AS A SUPPLIER OF FINISHED PRODUCT ONLY, DURADEK LTD. DOES NOT ASSUME RESPONSIBILITY FOR ERRORS IN DESIGN, ENGINEERING, OR DIMENSIONS. THE ARCHITECT, ENGINEER, SPECIFIER, CONTRACTOR OR OWNERS' REPRESENTATIVE MUST VERIFY ALL DIMENSIONS, SIZES & SUITABILITY OF DETAILS.

**DURADEK LTD.** CANADA Bus: (604) 591-5594 Fax: (604) 591-3100  
 UNITED STATES Bus: (816) 421-5830 Fax: (816) 421-2924

SYSTEM: ALL ASSEMBLIES DATE: 31/08/04 DRAWING No.: 15-04

### INSIDE PERIMETER DETAIL- REGLET FLASHING



**NOTE:**

AS A SUPPLIER OF FINISHED PRODUCT ONLY, DURADEK LTD. DOES NOT ASSUME RESPONSIBILITY FOR ERRORS IN DESIGN, ENGINEERING, OR DIMENSIONS. THE ARCHITECT, ENGINEER, SPECIFIER, CONTRACTOR OR OWNERS' REPRESENTATIVE MUST VERIFY ALL DIMENSIONS, SIZES & SUITABILITY OF DETAILS.

**DURADEK LTD.**

CANADA Bus: (604) 591-5594 Fax: (604) 591-3100  
 UNITED STATES Bus: (816) 421-5830 Fax: (816) 421-2924

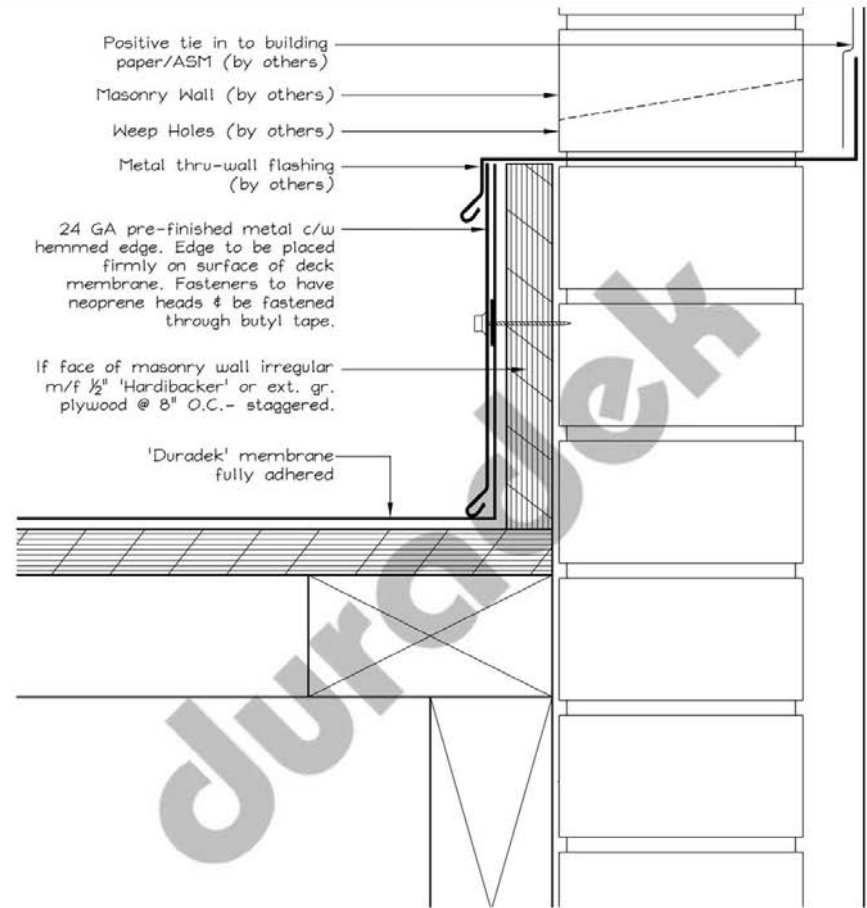
SYSTEM:  
**ALL ASSEMBLIES**

DATE: **31/08/04**  
 REV. DATE: **22/05/12**

DRAWING No.:  
**IS-05**



### INSIDE PERIMETER DETAIL- THROUGH WALL FLASHING



**NOTE:**

AS A SUPPLIER OF FINISHED PRODUCT ONLY, DURADEK LTD. DOES NOT ASSUME RESPONSIBILITY FOR ERRORS IN DESIGN, ENGINEERING, OR DIMENSIONS. THE ARCHITECT, ENGINEER, SPECIFIER, CONTRACTOR OR OWNERS' REPRESENTATIVE MUST VERIFY ALL DIMENSIONS, SIZES & SUITABILITY OF DETAILS.

**DURADEK LTD.**

CANADA Bus: (604) 591-5594 Fax: (604) 591-3100  
 UNITED STATES Bus: (816) 421-5830 Fax: (816) 421-2924

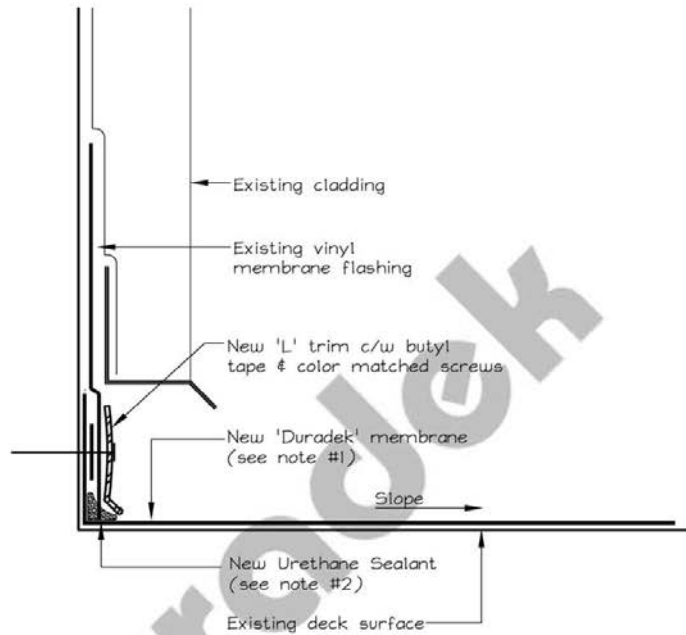
SYSTEM:  
**ALL ASSEMBLIES**

DATE: **31/08/04**  
 REV. DATE:

DRAWING No.:  
**IS-06**



### INSIDE PERIMETER DETAIL- TIE INTO EXISTING MEMBRANE



**NOTE:**  
 (1) Material & labor warranties would only extend to top of NEW installed membrane.  
 (2) Urethane sealant installed to encapsulate end of membrane.

**NOTE:** AS A SUPPLIER OF FINISHED PRODUCT ONLY, DURADEK LTD. DOES NOT ASSUME RESPONSIBILITY FOR ERRORS IN DESIGN, ENGINEERING, OR DIMENSIONS. THE ARCHITECT, ENGINEER, SPECIFIER, CONTRACTOR OR OWNERS' REPRESENTATIVE MUST VERIFY ALL DIMENSIONS, SIZES & SUITABILITY OF DETAILS.

**DURADEK LTD.**

CANADA  
UNITED STATES

Bus: (604) 591-5594  
Bus: (816) 421-5830

Fax: (604) 591-3100  
Fax: (816) 421-2924

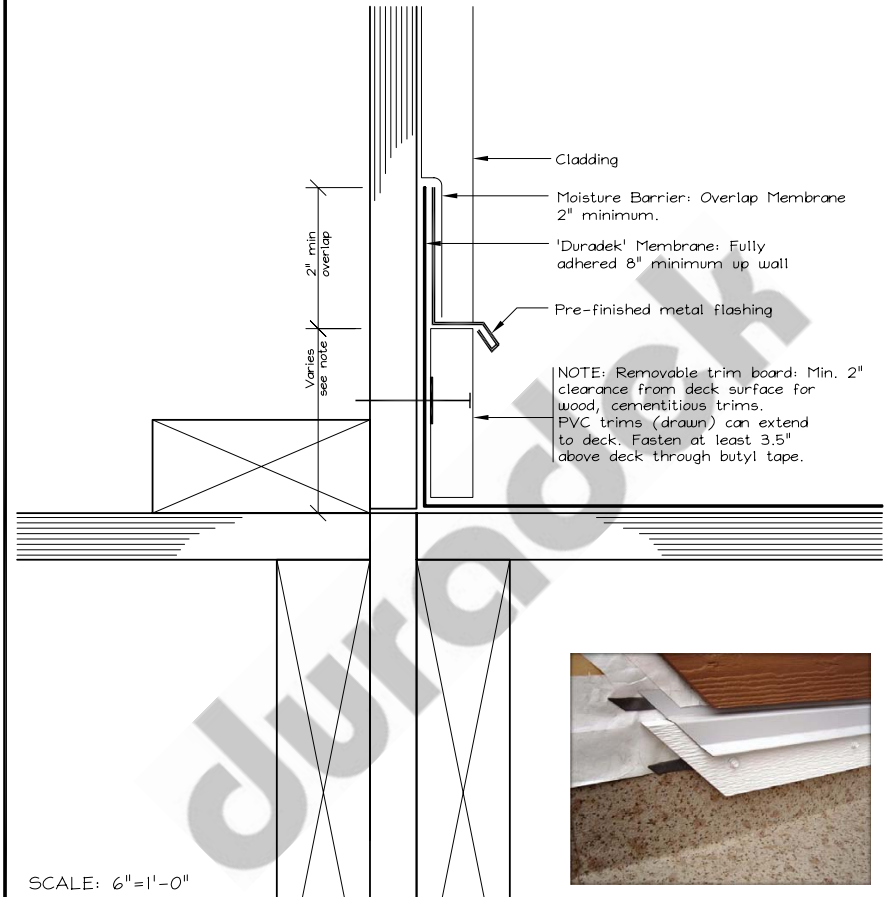
SYSTEM:  
**ALL ASSEMBLIES**

DATE: **31/08/04**  
REV. DATE:

DRAWING No.:  
**IS-07**



### REMOVABLE TRIM BOARD DETAIL



**NOTE:** AS A SUPPLIER OF FINISHED PRODUCT ONLY, DURADEK LTD. DOES NOT ASSUME RESPONSIBILITY FOR ERRORS IN DESIGN, ENGINEERING, OR DIMENSIONS. THE ARCHITECT, ENGINEER, SPECIFIER, CONTRACTOR OR OWNERS' REPRESENTATIVE MUST VERIFY ALL DIMENSIONS, SIZES & SUITABILITY OF DETAILS.

**DURADEK LTD.**

CANADA  
UNITED STATES

Bus: (604) 591-5594  
Bus: (816) 421-5830

Fax: (604) 591-3100  
Fax: (816) 421-2924

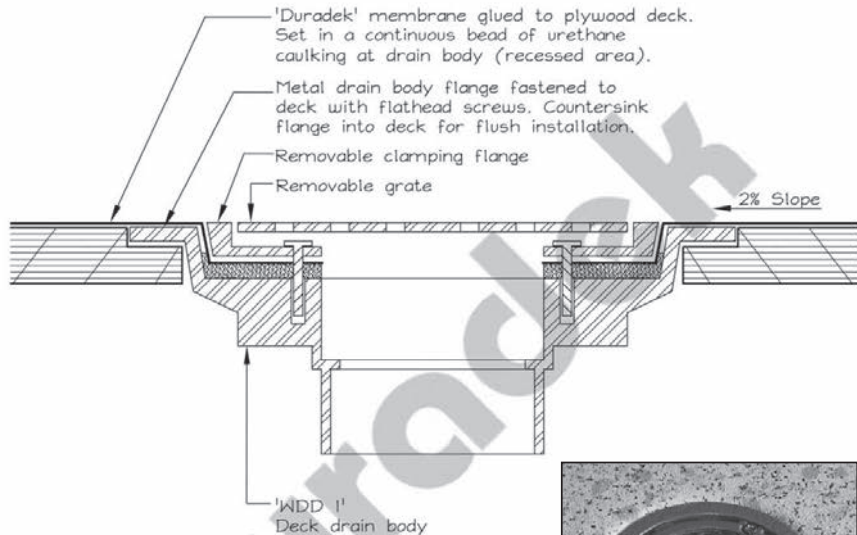
SYSTEM:  
**ALL ASSEMBLIES**

DATE: **25/08/08**  
REV. DATE:

DRAWING No.:  
**IS-08**



## DRAIN DETAIL- 'WDD-1' DECK DRAIN



**KEY DIMENSIONS:**  
 Flange Diameter: 8 1/8"  
 Body Height: 3 1/8"  
 Pipe Size: 2" NH (MJ) outlet



### NOTE:

AS A SUPPLIER OF FINISHED PRODUCT ONLY, DURADEK LTD. DOES NOT ASSUME RESPONSIBILITY FOR ERRORS IN DESIGN, ENGINEERING, OR DIMENSIONS. THE ARCHITECT, ENGINEER, SPECIFIER, CONTRACTOR OR OWNERS' REPRESENTATIVE MUST VERIFY ALL DIMENSIONS, SIZES & SUITABILITY OF DETAILS.

**DURADEK LTD.**

CANADA  
UNITED STATES

Bus: (604) 591-5594  
Bus: (816) 421-5830

Fax: (604) 591-3100  
Fax: (816) 421-2924

SYSTEM:  
**ALL ASSEMBLIES**

DATE: **31/08/04**  
REV. DATE: **29/08/07**

DRAWING No.:  
**DR-01**

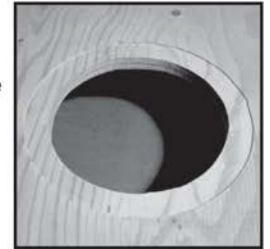


## WDD-1 DRAIN INSTALLATION PROCEDURE



1) Use drain body as template to mark 8 1/8" dia flange recess area & center of drain

2) Cut 6 1/2" dia hole  
3) Router recess so drain flange will sit flush with deck surface



4) Scallop 2" x 6" blocking to accommodate drain body

5) Blocking to span between joists. End fasten thru joists with 3x#10x3" SS WS at each end

6) Pre-drill additional 3 x pilot holes in drain flange, centered between existing holes

7) Fasten WDD-1 with 6x #8 x 1 1/2" SS WS  
8) Lightly grind top of drain flange



9) Install membrane, cut 3" dia hole (centered), cut patches at clamping flange fastening points

10) Apply cont. bead of approved urethane caulking at clamping flange seating area



11) Install retainer clamping flange with (3) screws (supplied)

12) Install grate with (2) screws (supplied)

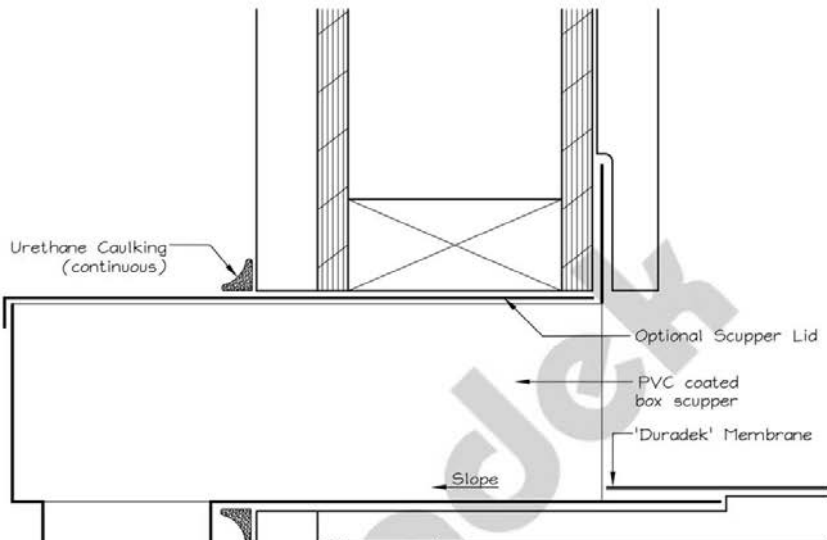
Note: 2" (51) ABS body will accept 2" (51) pipe size, NH (MJ) outlet



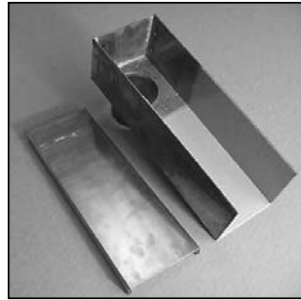




### DRAIN DETAIL- PVC COATED BOX SCUPPER



**KEY DIMENSIONS:**  
 Length: 12"  
 Width: 4"  
 Height: 3½"  
 Pipe Size: 2¾" O.S.



**NOTE:**

AS A SUPPLIER OF FINISHED PRODUCT ONLY, DURADEK LTD. DOES NOT ASSUME RESPONSIBILITY FOR ERRORS IN DESIGN, ENGINEERING, OR DIMENSIONS. THE ARCHITECT, ENGINEER, SPECIFIER, CONTRACTOR OR OWNERS' REPRESENTATIVE MUST VERIFY ALL DIMENSIONS, SIZES & SUITABILITY OF DETAILS.

**DURADEK LTD.**

CANADA  
UNITED STATES

Bus: (604) 591-5594  
Bus: (816) 421-5830

Fax: (604) 591-3100  
Fax: (816) 421-2924

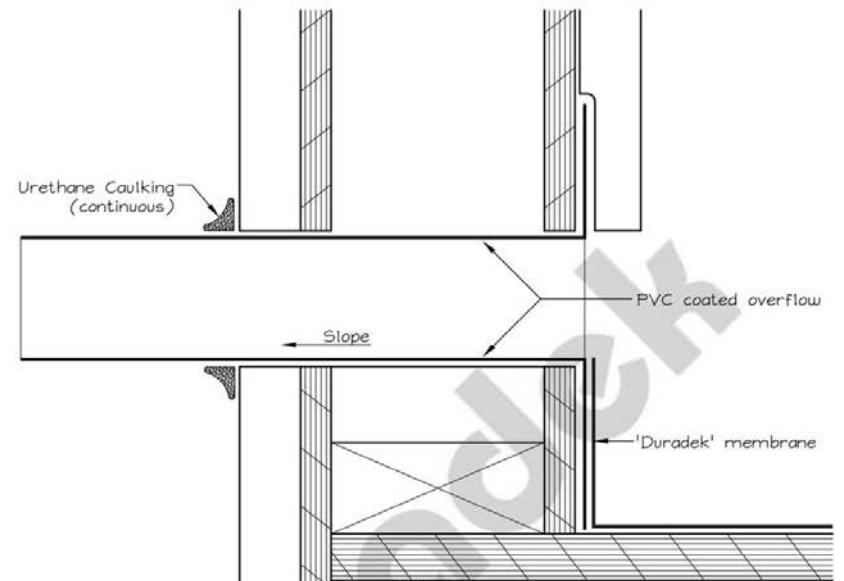
SYSTEM:  
ALL ASSEMBLIES

DATE: 31/08/04  
REV. DATE:

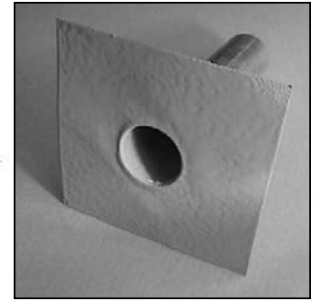
DRAWING No.:  
DR-03



### DRAIN DETAIL- PVC COATED OVERFLOW



**KEY DIMENSIONS:**  
 Flange: 9"x9"  
 Body Height: 12"  
 Pipe Size: 2¾" O.S.



**NOTE:**

AS A SUPPLIER OF FINISHED PRODUCT ONLY, DURADEK LTD. DOES NOT ASSUME RESPONSIBILITY FOR ERRORS IN DESIGN, ENGINEERING, OR DIMENSIONS. THE ARCHITECT, ENGINEER, SPECIFIER, CONTRACTOR OR OWNERS' REPRESENTATIVE MUST VERIFY ALL DIMENSIONS, SIZES & SUITABILITY OF DETAILS.

**DURADEK LTD.**

CANADA  
UNITED STATES

Bus: (604) 591-5594  
Bus: (816) 421-5830

Fax: (604) 591-3100  
Fax: (816) 421-2924

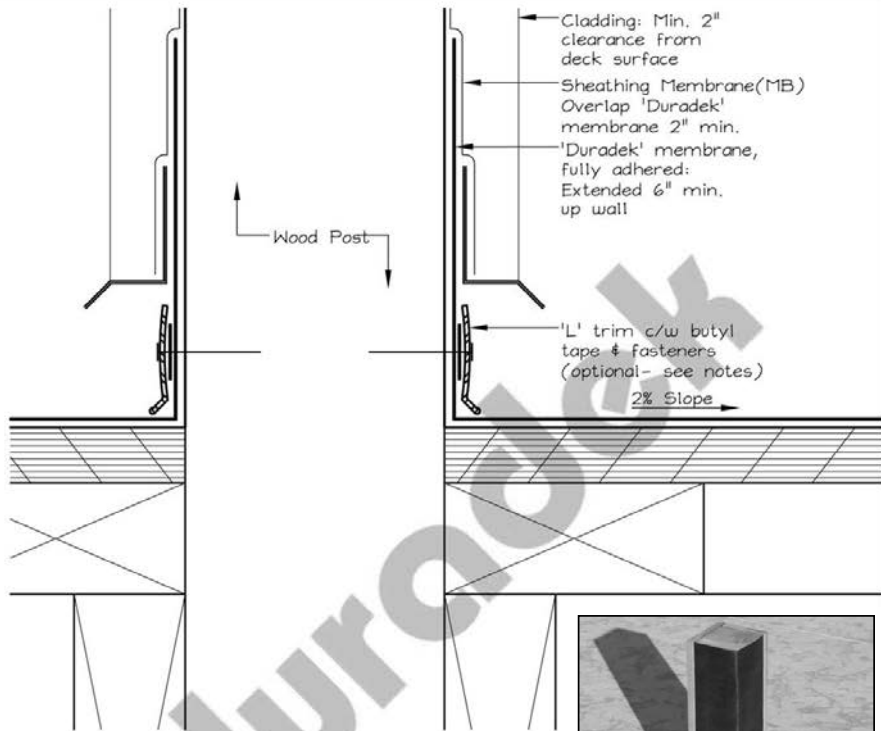
SYSTEM:  
ALL ASSEMBLIES

DATE: 31/08/04  
REV. DATE:

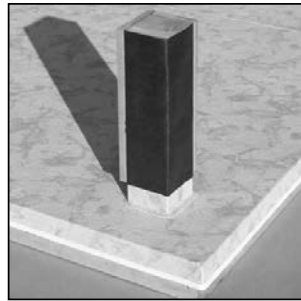
DRAWING No.:  
DR-04



### POST DETAIL



**NOTE:** 'Duradek' 'L' trim fixation bar not required if: field of membrane adhered with 'Duradek' acrylic latex adhesive, July 25% dry bulb temperature does not exceed 29 deg C (84.2 deg F), maximum basic wind speed does not exceed 80 mph (129 km/h) or maximum basic wind speed (3-second gust) does not exceed 100 mph (161 km/h). See 'Duradek' bulletin for details.



**NOTE:**

AS A SUPPLIER OF FINISHED PRODUCT ONLY, DURADEK LTD. DOES NOT ASSUME RESPONSIBILITY FOR ERRORS IN DESIGN, ENGINEERING, OR DIMENSIONS. THE ARCHITECT, ENGINEER, SPECIFIER, CONTRACTOR OR OWNERS' REPRESENTATIVE MUST VERIFY ALL DIMENSIONS, SIZES & SUITABILITY OF DETAILS.

**DURADEK LTD.**

CANADA  
UNITED STATES

Bus: (604) 591-5594  
Bus: (816) 421-5830

Fax: (604) 591-3100  
Fax: (816) 421-2924

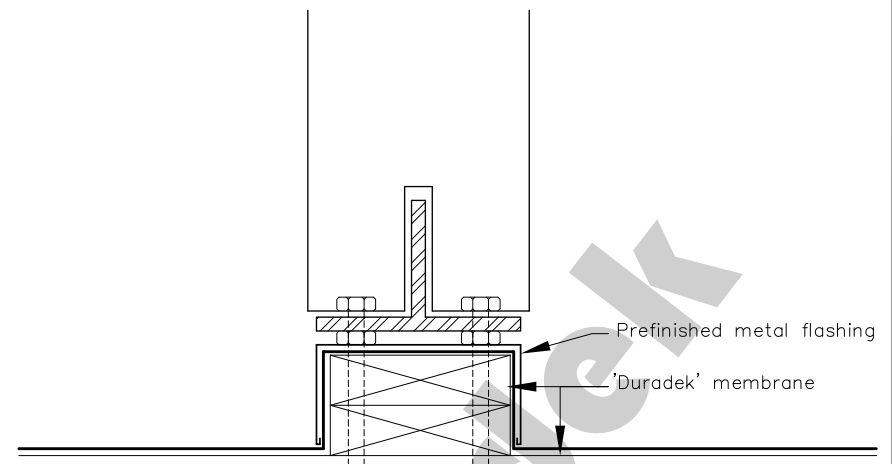
SYSTEM:  
**ALL ASSEMBLIES**

DATE: **31/08/04**  
REV. DATE:

DRAWING No.:  
**P-01**



### RAISED COLUMN BASE DETAIL



**NOTE:**

- Provide polyurethane caulking seal at post fastener membrane penetration.
- Height of column base above deck surface as dictated by governing building code.
- Design of post, connectors, base structural support & other related issues. by others



**NOTE:**

AS A SUPPLIER OF FINISHED PRODUCT ONLY, DURADEK LTD. DOES NOT ASSUME RESPONSIBILITY FOR ERRORS IN DESIGN, ENGINEERING, OR DIMENSIONS. THE ARCHITECT, ENGINEER, SPECIFIER, CONTRACTOR OR OWNERS' REPRESENTATIVE MUST VERIFY ALL DIMENSIONS, SIZES & SUITABILITY OF DETAILS.

**DURADEK LTD.**

CANADA  
UNITED STATES

Bus: (604) 591-5594  
Bus: (816) 421-5830

Fax: (604) 591-3100  
Fax: (816) 421-2924

SYSTEM:  
**ALL ASSEMBLIES**

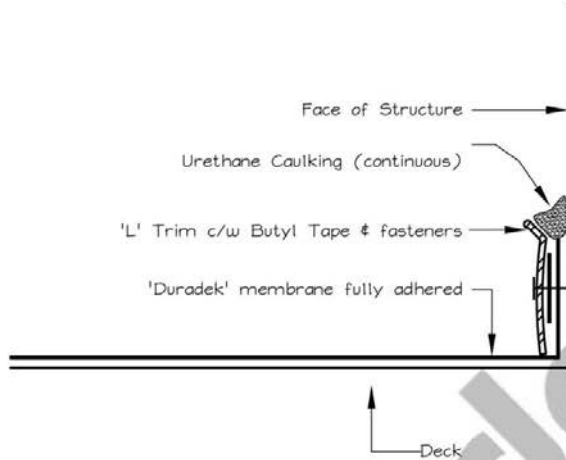
DATE: **22/05/12**  
REV. DATE:

DRAWING No.:  
**C-01**



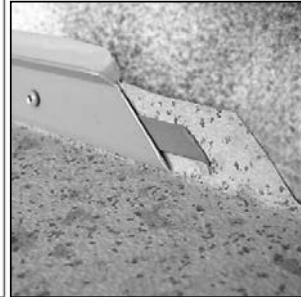


### NON- HABITABLE DETAIL- 'L' TRIM FLASHING



**NOTE:**

For use on surfaces over NON-HABITABLE SPACE ONLY: Duradek designates "Non-habitable space" as an area not over a living area or other areas, which are not governed by the local Building Codes (i.e.: sun decks, patios, etc.). A NON-HABITABLE DETAIL could be considered for applications where the detail does not contribute to water migration into the building envelope and has no consequential damaging effect to the building or deck support structure. Duradek recommends the use of 'ALL ASSEMBLIES' details for all installation of Duradek Waterproofing Membranes. These roofing details are sound and time proven. If the owner or his representative decides to use details designated as "NON-HABITABLE" because of aesthetics, practicality, cost or other project specific considerations, Duradek forgoes all responsibility for use of the detail.



**NOTE:**

AS A SUPPLIER OF FINISHED PRODUCT ONLY, DURADEK LTD. DOES NOT ASSUME RESPONSIBILITY FOR ERRORS IN DESIGN, ENGINEERING, OR DIMENSIONS. THE ARCHITECT, ENGINEER, SPECIFIER, CONTRACTOR OR OWNERS' REPRESENTATIVE MUST VERIFY ALL DIMENSIONS, SIZES & SUITABILITY OF DETAILS.

**DURADEK LTD.**

CANADA  
UNITED STATES

Bus: (604) 591-5594  
Bus: (816) 421-5830

Fax: (604) 591-3100  
Fax: (816) 421-2924

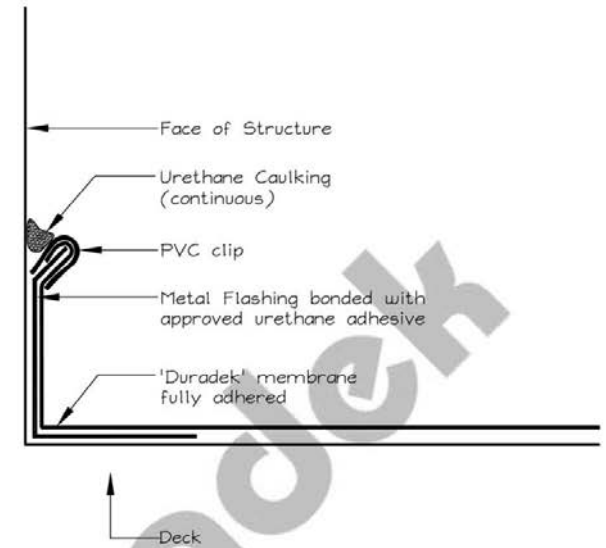
SYSTEM:  
**OVER NON-HABITABLE AREAS**

DATE: **31/08/04**  
REV. DATE:

DRAWING No.:  
**NH-01**



### NON- HABITABLE DETAIL- GUM POCKET FLASHING



**NOTE:**

For use on surfaces over NON-HABITABLE SPACE ONLY: Duradek designates "Non-habitable space" as an area not over a living area or other areas, which are not governed by the local Building Codes (i.e.: sun decks, patios, etc.). A NON-HABITABLE DETAIL could be considered for applications where the detail does not contribute to water migration into the building envelope and has no consequential damaging effect to the building or deck support structure. Duradek recommends the use of 'ALL ASSEMBLIES' details for all installation of Duradek Waterproofing Membranes. These roofing details are sound and time proven. If the owner or his representative decides to use details designated as "NON-HABITABLE" because of aesthetics, practicality, cost or other project specific considerations, Duradek forgoes all responsibility for use of the detail.

**NOTE:**

AS A SUPPLIER OF FINISHED PRODUCT ONLY, DURADEK LTD. DOES NOT ASSUME RESPONSIBILITY FOR ERRORS IN DESIGN, ENGINEERING, OR DIMENSIONS. THE ARCHITECT, ENGINEER, SPECIFIER, CONTRACTOR OR OWNERS' REPRESENTATIVE MUST VERIFY ALL DIMENSIONS, SIZES & SUITABILITY OF DETAILS.

**DURADEK LTD.**

CANADA  
UNITED STATES

Bus: (604) 591-5594  
Bus: (816) 421-5830

Fax: (604) 591-3100  
Fax: (816) 421-2924

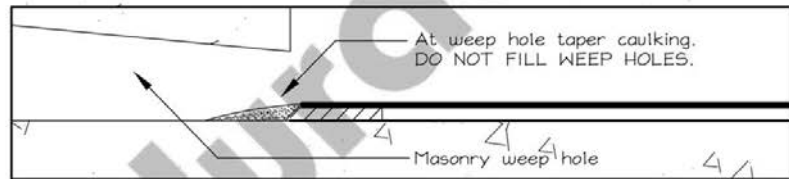
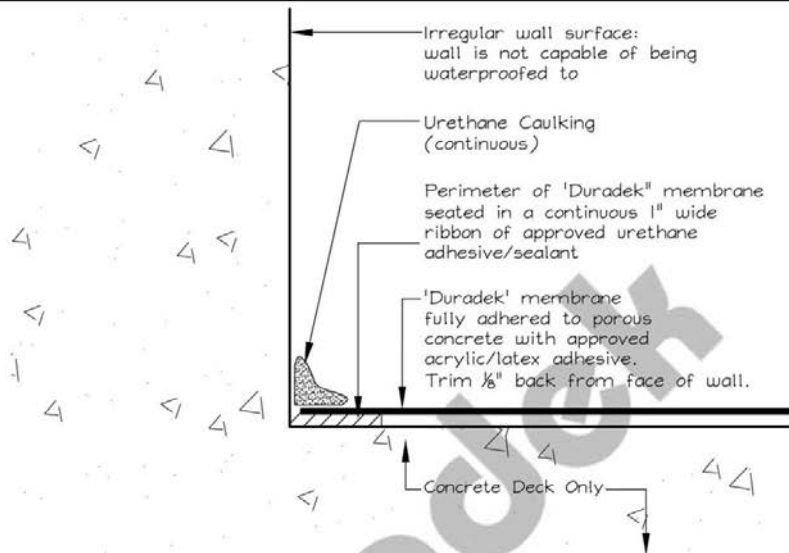
SYSTEM:  
**OVER NON-HABITABLE AREAS**

DATE: **31/08/04**  
REV. DATE:

DRAWING No.:  
**NH-02**



### NON- HABITABLE DETAIL- WALL WATER CUT-OFF



**NOTE:**  
For use on surfaces over NON-HABITABLE SPACE ONLY: Duradek designates "Non-habitable space" as an area not over a living area or other areas, which are not governed by the local Building Codes (i.e.: sun decks, patios, etc.). A NON-HABITABLE DETAIL could be considered for applications where the detail does not contribute to water migration into the building envelope and has no consequential damaging effect to the building or deck support structure. Duradek recommends the use of 'ALL ASSEMBLIES' details for all installation of Duradek Waterproofing Membranes. These roofing details are sound and time proven. If the owner or his representative decides to use details designated as "NON-HABITABLE" because of aesthetics, practicality, cost or other project specific considerations, Duradek forgoes all responsibility for use of the detail.

**NOTE:** AS A SUPPLIER OF FINISHED PRODUCT ONLY, DURADEK LTD. DOES NOT ASSUME RESPONSIBILITY FOR ERRORS IN DESIGN, ENGINEERING, OR DIMENSIONS. THE ARCHITECT, ENGINEER, SPECIFIER, CONTRACTOR OR OWNERS' REPRESENTATIVE MUST VERIFY ALL DIMENSIONS, SIZES & SUITABILITY OF DETAILS.

**DURADEK LTD.**

CANADA  
UNITED STATES

Bus: (604) 591-5594  
Bus: (816) 421-5830

Fax: (604) 591-3100  
Fax: (816) 421-2924

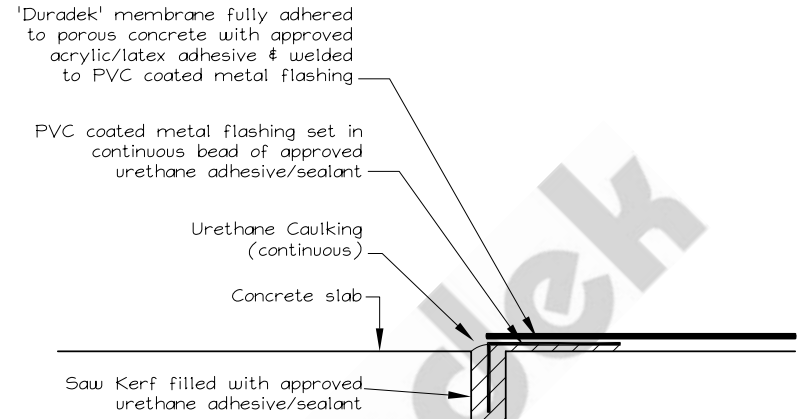
SYSTEM:  
**OVER NON-HABITABLE AREAS**

DATE: **31/08/04**  
REV. DATE:

DRAWING No.:  
**NH-03**



### NON-HABITABLE DETAIL- CONCRETE SLAB WATER CUT-OFF



**NOTE:**  
For use on surfaces over NON-HABITABLE SPACE ONLY: Duradek designates "Non-habitable space" as an area not over a living area or other areas, which are not governed by the local Building Codes (i.e.: sun decks, patios, etc.). A NON-HABITABLE DETAIL could be considered for applications where the detail does not contribute to water migration into the building envelope and has no consequential damaging effect to the building or deck support structure. Duradek recommends the use of 'ALL ASSEMBLIES' details for all installation of Duradek Waterproofing Membranes. These roofing details are sound and time proven. If the owner or his representative decides to use details designated as "NON-HABITABLE" because of aesthetics, practicality, cost or other project specific considerations, Duradek forgoes all responsibility for use of the detail.

**NOTE:** AS A SUPPLIER OF FINISHED PRODUCT ONLY, DURADEK LTD. DOES NOT ASSUME RESPONSIBILITY FOR ERRORS IN DESIGN, ENGINEERING, OR DIMENSIONS. THE ARCHITECT, ENGINEER, SPECIFIER, CONTRACTOR OR OWNERS' REPRESENTATIVE MUST VERIFY ALL DIMENSIONS, SIZES & SUITABILITY OF DETAILS.

**DURADEK LTD.**

CANADA  
UNITED STATES

Bus: (604) 591-5594  
Bus: (816) 421-5830

Fax: (604) 591-3100  
Fax: (816) 421-2924

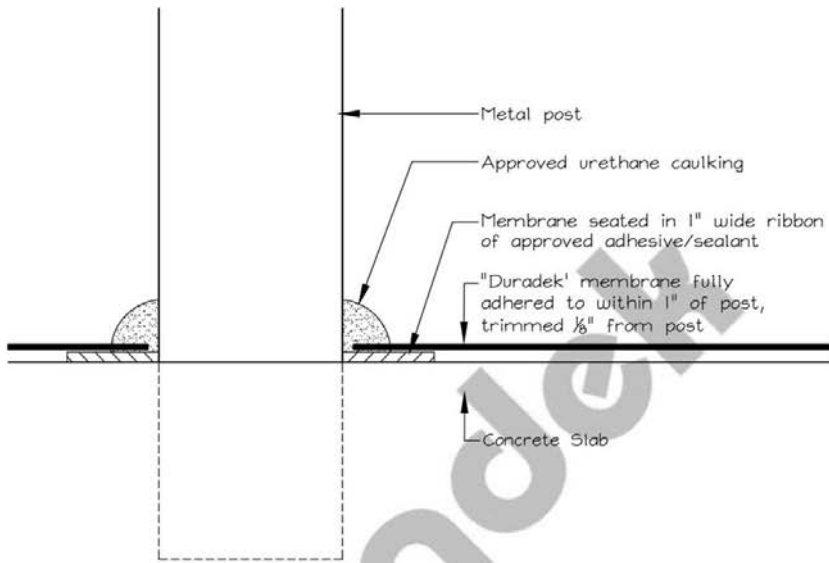
SYSTEM:  
**OVER NON-HABITABLE AREAS**

DATE: **31/08/04**  
REV. DATE:

DRAWING No.:  
**NH-04**



### NON- HABITABLE DETAIL- METAL POST



**NOTE:**  
 For use on surfaces over NON-HABITABLE SPACE ONLY: Duradek designates "Non-habitable space" as an area not over a living area or other areas, which are not governed by the local Building Codes (i.e.: sun decks, patios, etc.). A NON-HABITABLE DETAIL could be considered for applications where the detail does not contribute to water migration into the building envelope and has no consequential damaging effect to the building or deck support structure. Duradek recommends the use of 'ALL ASSEMBLIES' details for all installation of Duradek Waterproofing Membranes. These roofing details are sound and time proven. If the owner or his representative decides to use details designated as "NON-HABITABLE" because of aesthetics, practicality, cost or other project specific considerations, Duradek forgoes all responsibility for use of the detail.

**NOTE:** AS A SUPPLIER OF FINISHED PRODUCT ONLY, DURADEK LTD. DOES NOT ASSUME RESPONSIBILITY FOR ERRORS IN DESIGN, ENGINEERING, OR DIMENSIONS. THE ARCHITECT, ENGINEER, SPECIFIER, CONTRACTOR OR OWNERS' REPRESENTATIVE MUST VERIFY ALL DIMENSIONS, SIZES & SUITABILITY OF DETAILS.

**DURADEK LTD.**

CANADA  
UNITED STATES

Bus: (604) 591-5594  
Bus: (816) 421-5830

Fax: (604) 591-3100  
Fax: (816) 421-2924

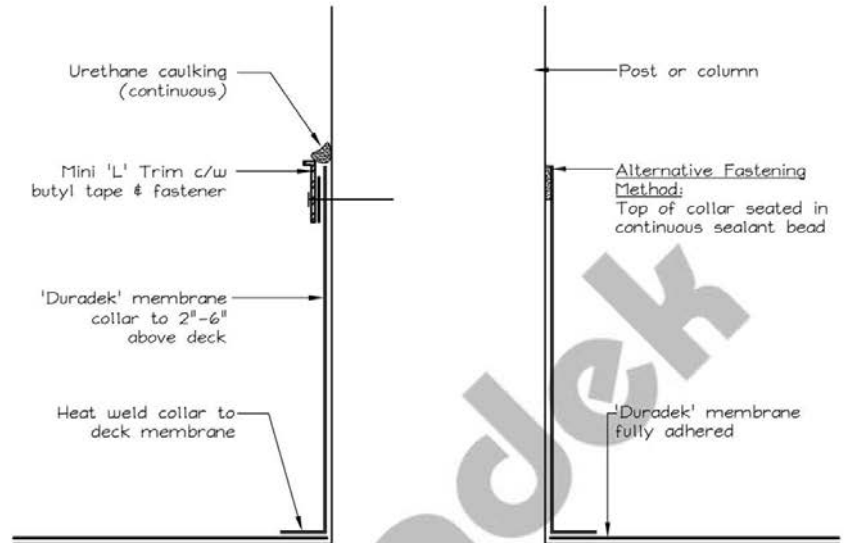
SYSTEM:  
OVER NON-HABITABLE AREAS

DATE: 31/08/04  
REV. DATE:

DRAWING No.:  
NH-05



### NON-HABITABLE DETAIL - WOOD OR METAL POST



**NOTE:**  
 For use on surfaces over NON-HABITABLE SPACE ONLY: Duradek designates "Non-habitable space" as an area not over a living area or other areas, which are not governed by the local Building Codes (i.e.: sun decks, patios, etc.). A NON-HABITABLE DETAIL could be considered for applications where the detail does not contribute to water migration into the building envelope and has no consequential damaging effect to the building or deck support structure. Duradek recommends the use of 'ALL ASSEMBLIES' details for all installation of Duradek Waterproofing Membranes. These roofing details are sound and time proven. If the owner or his representative decides to use details designated as "NON-HABITABLE" because of aesthetics, practicality, cost or other project specific considerations, Duradek forgoes all responsibility for use of the detail.

**NOTE:** AS A SUPPLIER OF FINISHED PRODUCT ONLY, DURADEK LTD. DOES NOT ASSUME RESPONSIBILITY FOR ERRORS IN DESIGN, ENGINEERING, OR DIMENSIONS. THE ARCHITECT, ENGINEER, SPECIFIER, CONTRACTOR OR OWNERS' REPRESENTATIVE MUST VERIFY ALL DIMENSIONS, SIZES & SUITABILITY OF DETAILS.

**DURADEK LTD.**

CANADA  
UNITED STATES

Bus: (604) 591-5594  
Bus: (816) 421-5830

Fax: (604) 591-3100  
Fax: (816) 421-2924

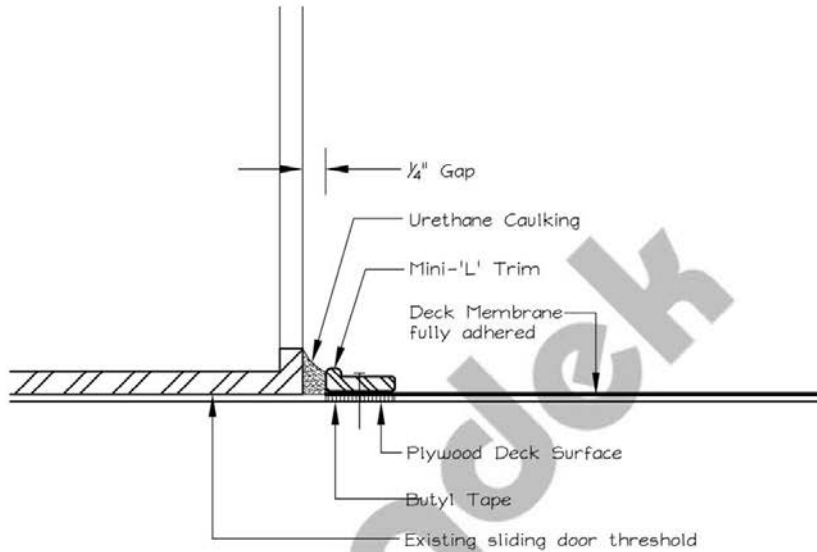
SYSTEM:  
OVER NON-HABITABLE AREAS

DATE: 31/08/04  
REV. DATE:

DRAWING No.:  
NH-06



### NON-HABITABLE DETAIL- FLUSH DOOR SILL



**NOTE:**

For use on surfaces over NON-HABITABLE SPACE ONLY: Duradek designates "Non-habitable space" as an area not over a living area or other areas, which are not governed by the local Building Codes (i.e.: sun decks, patios, etc.). A NON-HABITABLE DETAIL could be considered for applications where the detail does not contribute to water migration into the building envelope and has no consequential damaging effect to the building or deck support structure. Duradek recommends the use of 'ALL ASSEMBLIES' details for all installation of Duradek Waterproofing Membranes. These roofing details are sound and time proven. If the owner or his representative decides to use details designated as "NON-HABITABLE" because of aesthetics, practicality, cost or other project specific considerations, Duradek forgoes all responsibility for use of the detail.

**NOTE:**

AS A SUPPLIER OF FINISHED PRODUCT ONLY, DURADEK LTD. DOES NOT ASSUME RESPONSIBILITY FOR ERRORS IN DESIGN, ENGINEERING, OR DIMENSIONS. THE ARCHITECT, ENGINEER, SPECIFIER, CONTRACTOR OR OWNERS' REPRESENTATIVE MUST VERIFY ALL DIMENSIONS, SIZES & SUITABILITY OF DETAILS.

**DURADEK LTD.**

CANADA  
UNITED STATES

Bus: (604) 591-5594  
Bus: (816) 421-5830

Fax: (604) 591-3100  
Fax: (816) 421-2924

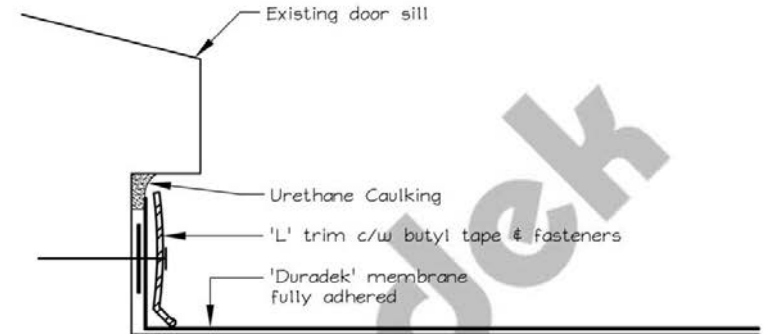
SYSTEM:  
**OVER NON-HABITABLE AREAS**

DATE: **31/08/04**  
REV. DATE:

DRAWING No.:  
**NH-07**



### NON-HABITABLE DETAIL- RAISED DOOR SILL



**NOTE:**

For use on surfaces over NON-HABITABLE SPACE ONLY: Duradek designates "Non-habitable space" as an area not over a living area or other areas, which are not governed by the local Building Codes (i.e.: sun decks, patios, etc.). A NON-HABITABLE DETAIL could be considered for applications where the detail does not contribute to water migration into the building envelope and has no consequential damaging effect to the building or deck support structure. Duradek recommends the use of 'ALL ASSEMBLIES' details for all installation of Duradek Waterproofing Membranes. These roofing details are sound and time proven. If the owner or his representative decides to use details designated as "NON-HABITABLE" because of aesthetics, practicality, cost or other project specific considerations, Duradek forgoes all responsibility for use of the detail.

**NOTE:**

AS A SUPPLIER OF FINISHED PRODUCT ONLY, DURADEK LTD. DOES NOT ASSUME RESPONSIBILITY FOR ERRORS IN DESIGN, ENGINEERING, OR DIMENSIONS. THE ARCHITECT, ENGINEER, SPECIFIER, CONTRACTOR OR OWNERS' REPRESENTATIVE MUST VERIFY ALL DIMENSIONS, SIZES & SUITABILITY OF DETAILS.

**DURADEK LTD.**

CANADA  
UNITED STATES

Bus: (604) 591-5594  
Bus: (816) 421-5830

Fax: (604) 591-3100  
Fax: (816) 421-2924

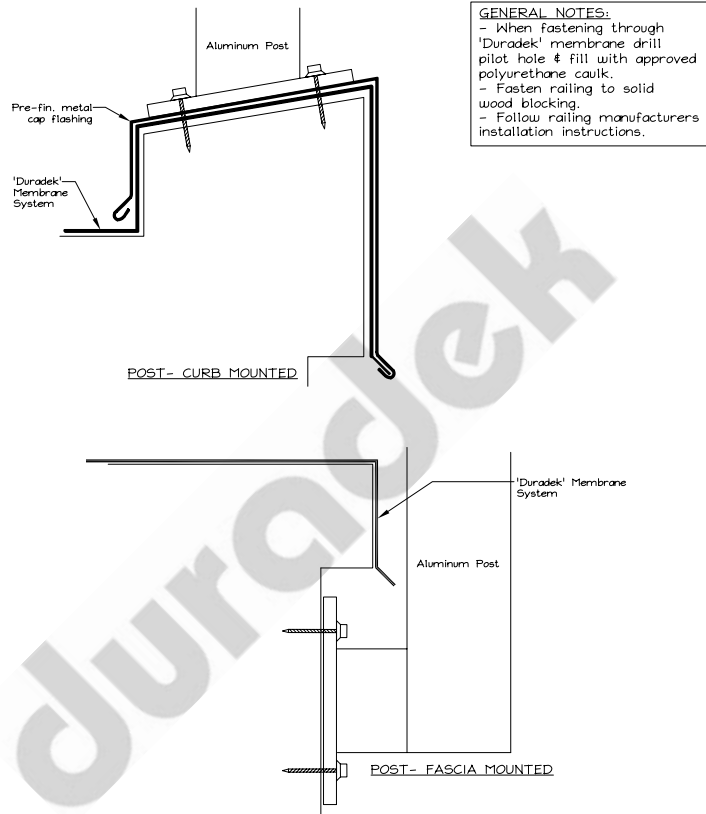
SYSTEM:  
**OVER NON-HABITABLE AREAS**

DATE: **31/08/04**  
REV. DATE:

DRAWING No.:  
**NH-08**



## ALUMINUM RAILING MOUNTING CONNECTIONS



**NOTE:**

AS A SUPPLIER OF FINISHED PRODUCT ONLY, DURADEK LTD. DOES NOT ASSUME RESPONSIBILITY FOR ERRORS IN DESIGN, ENGINEERING, OR DIMENSIONS. THE ARCHITECT, ENGINEER, SPECIFIER, CONTRACTOR OR OWNERS' REPRESENTATIVE MUST VERIFY ALL DIMENSIONS, SIZES & SUITABILITY OF DETAILS.

**DURADEK LTD.**

CANADA  
UNITED STATES

Bus: (604) 591-5594  
Bus: (816) 421-5830

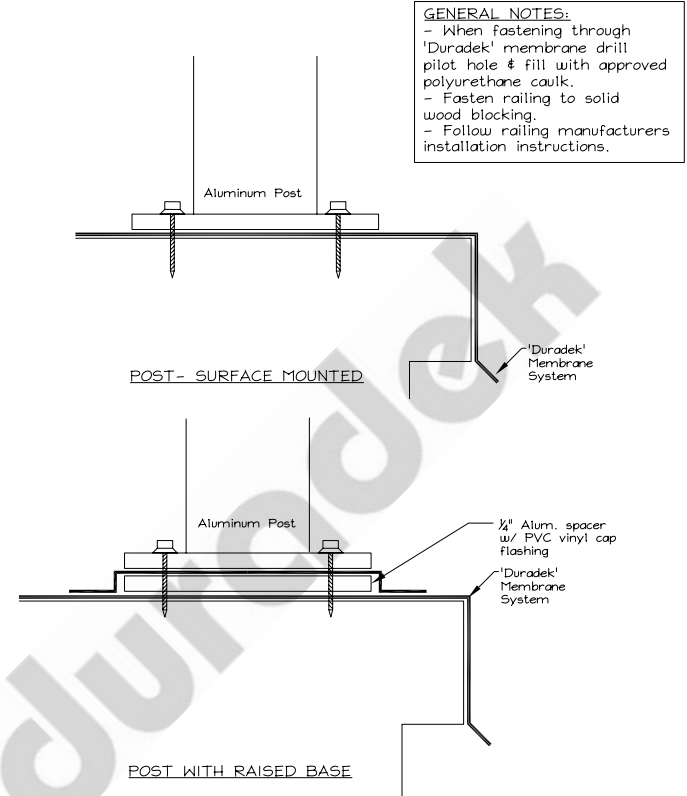
Fax: (604) 591-3100  
Fax: (816) 421-2924

SYSTEM:  
ALL ASSEMBLIES

DATE: 31/08/04  
REV. DATE: 29/09/07

DRAWING No.:  
R-01

## ALUMINUM RAILING MOUNTING CONNECTIONS



**NOTE:**

AS A SUPPLIER OF FINISHED PRODUCT ONLY, DURADEK LTD. DOES NOT ASSUME RESPONSIBILITY FOR ERRORS IN DESIGN, ENGINEERING, OR DIMENSIONS. THE ARCHITECT, ENGINEER, SPECIFIER, CONTRACTOR OR OWNERS' REPRESENTATIVE MUST VERIFY ALL DIMENSIONS, SIZES & SUITABILITY OF DETAILS.

**DURADEK LTD.**

CANADA  
UNITED STATES

Bus: (604) 591-5594  
Bus: (816) 421-5830

Fax: (604) 591-3100  
Fax: (816) 421-2924

SYSTEM:  
ALL ASSEMBLIES

DATE: 31/08/04  
REV. DATE: 29/09/07

DRAWING No.:  
R-02